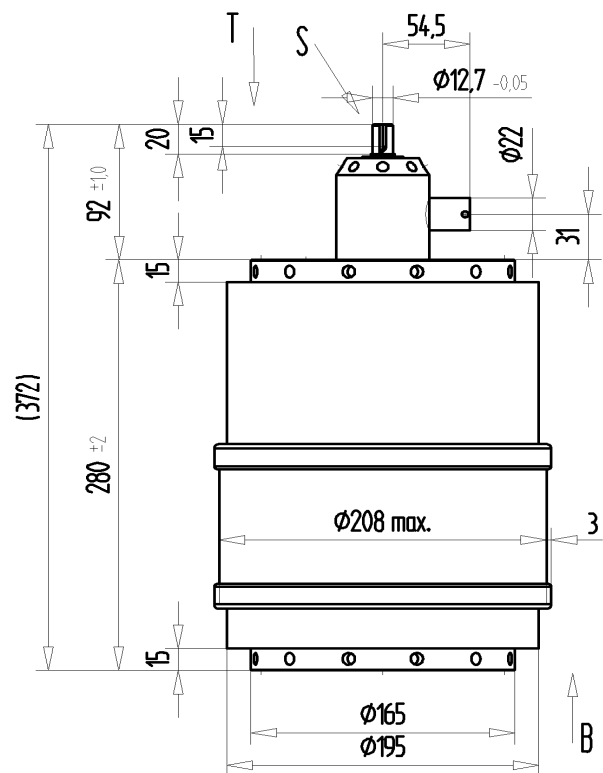
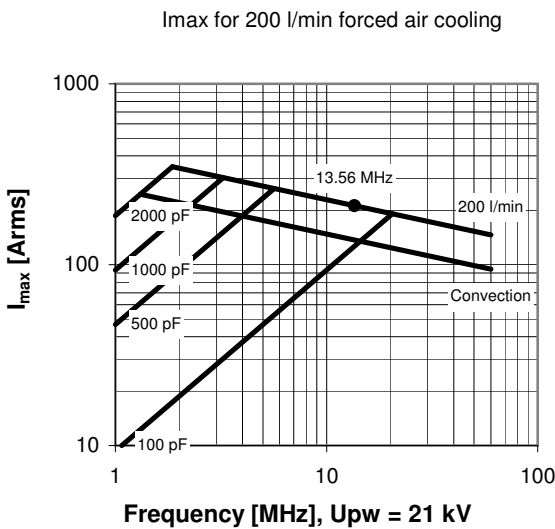
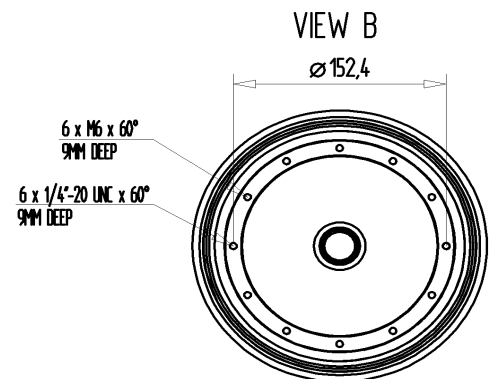
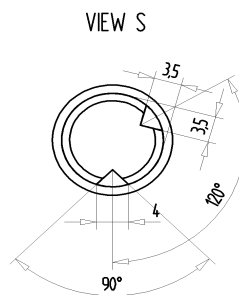
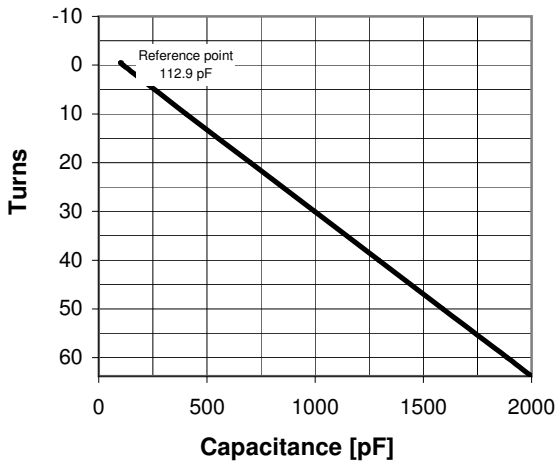
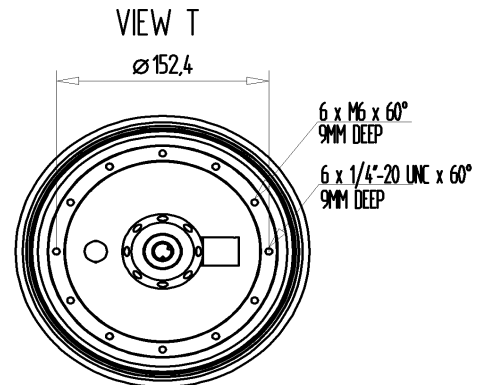


CVLA-2000AA/35-ABB-P

Old Type Designation: CV2A-2000ESB

Specifications

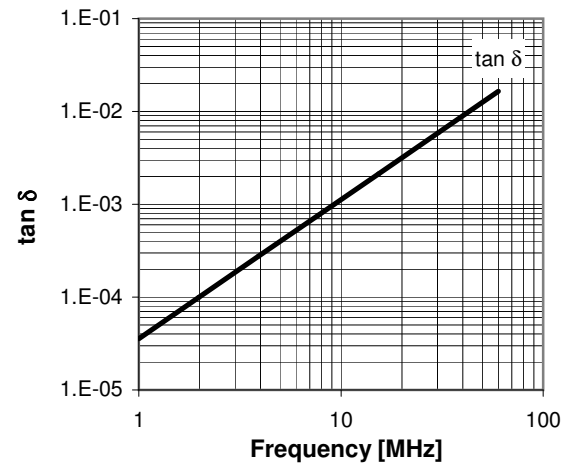
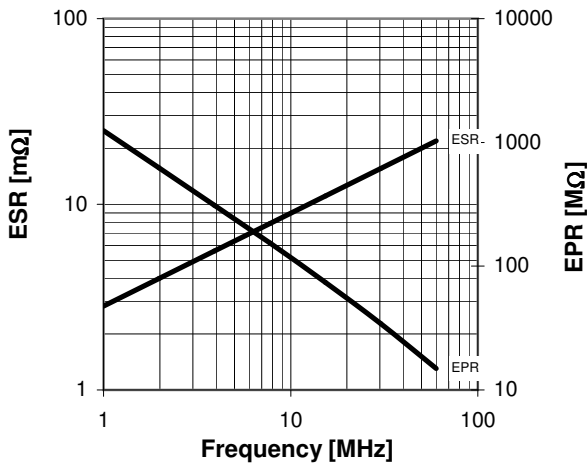
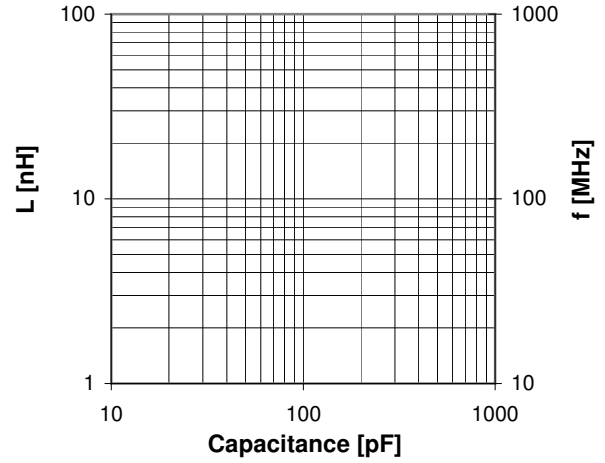
Capacity C_{max} (nominal)	2000 pF
Capacity C_{min} (nominal)	100 pF
Voltage (Peak Test U_{pt} / Peak Working U_{pw})	35 kV / 21 kV
Capacity Tolerance (linear Range)	10%
Max. Current I_{max} at 13.56 MHz with Air Cooling	211 Arms
Capacitance per turn	29.6 pF/turn
Torque	≤ 1.5 Nm
Net Weight	17 kg



Turns	Nominal Capacitance [pF]	Tolerance
-0.5	100.0	10%
0.0	112.9	0%
10.0	404.5	10%
20.0	700.8	10%
30.0	997.4	10%
40.0	1294.0	10%
50.0	1590.6	10%
60.0	1887.2	10%
63.8	2000.0	10%

Mechanical stop at < 100 pF at ~ -3 turns
 Mechanical stop at > 2000 pF at ~ 64.4 turns

Self inductance and resonance frequency



Special Features:

Lubrication System