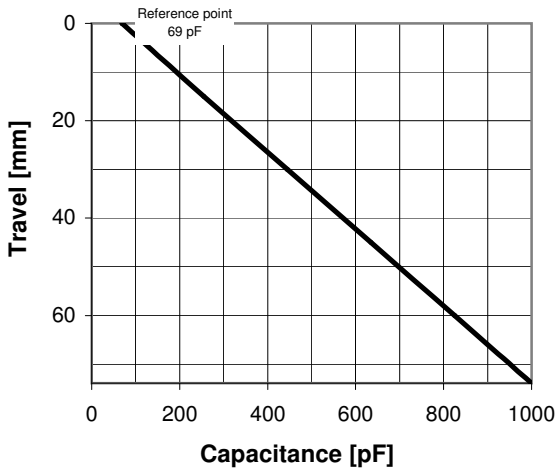


## CVLA-1000GW/60-ZJP-NR

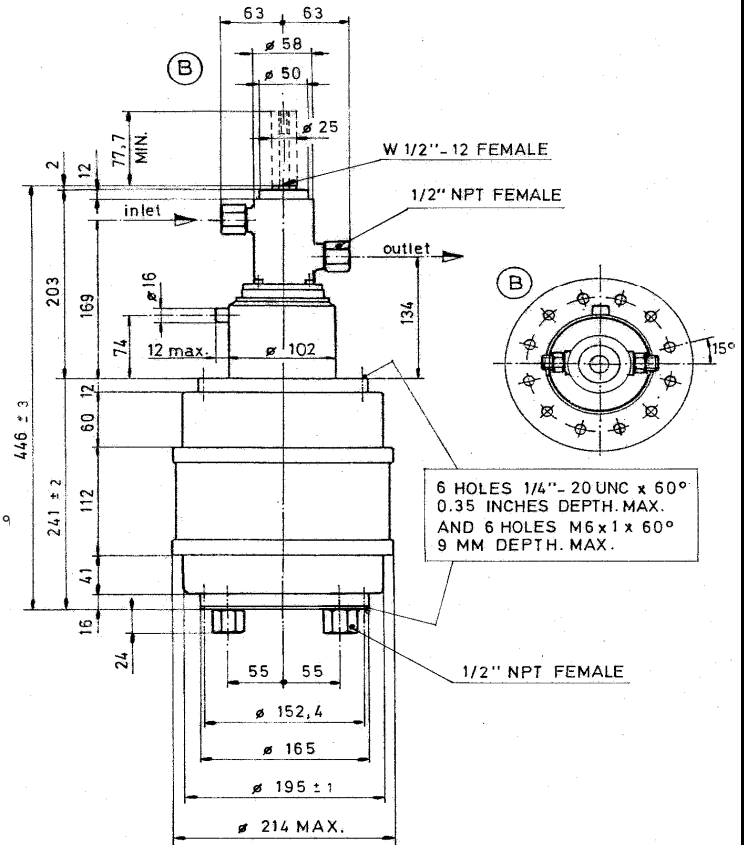
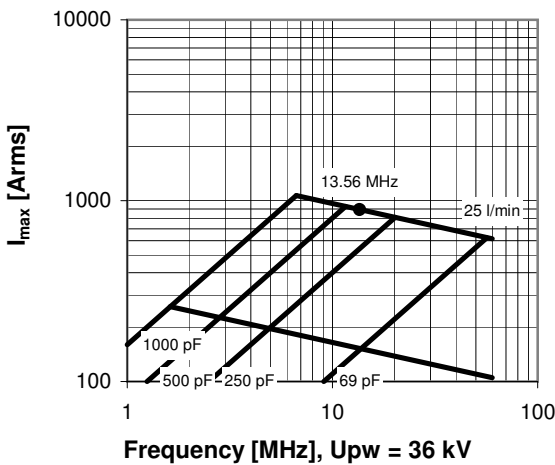
Old Type Designation: CV4W-1000E

### Specifications

Capacity $C_{max}$ (nominal)	1000 pF
Capacity $C_{min}$ (nominal)	69 pF
Voltage (Peak Test $U_{pt}$ / Peak Working $U_{pw}$ )	60 kV / 36 kV
Capacity Tolerance (linear Range)	10%
Max. Current $I_{max}$ at 13.56 MHz with	891 Arms
Water Cooling	25 l/min
Self Inductance	$\leq 31$ nH
Capacitance per mm	12.6 pF/mm
Pull Force	$\leq 700$ N
Net Weight	21 kg



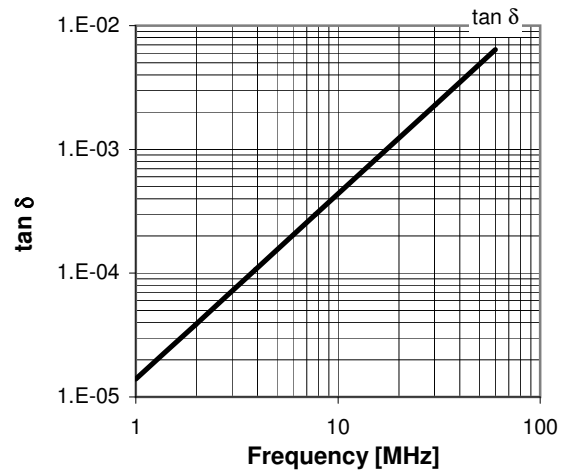
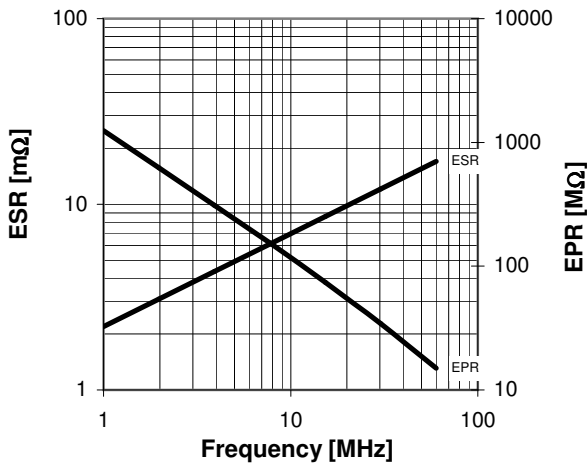
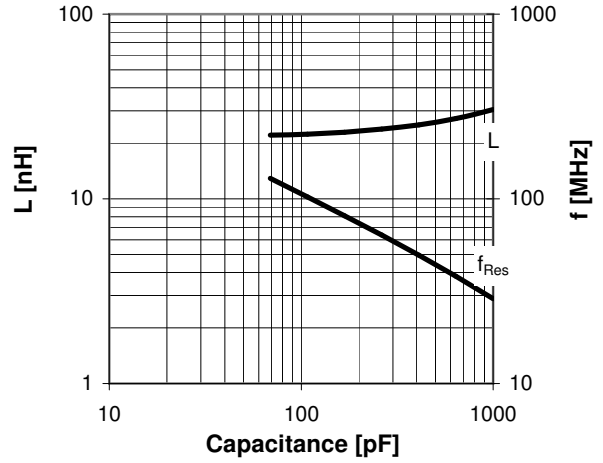
$I_{max}$  for 25 l/min water cooling; max. water temp. at inlet: 70°  
fixed end has to be water cooled with min. 4 l/min



Travel [mm]	Nominal Capacitance [pF]	Tolerance
0.0	69.0	0%
15.0	254.9	10%
30.0	444.9	10%
45.0	634.8	10%
60.0	825.0	10%
73.9	1000.0	10%

Mechanical stop at < 69 pF at ~ -3.8 mm  
Mechanical stop at > 1000 pF at ~ 76.3 mm

Self inductance and resonance frequency



**Special Features:**

Turbulence Cooling, Cooling Plate included

**Approved**

By: \_\_\_\_\_

Date: \_\_\_\_\_

Company: \_\_\_\_\_