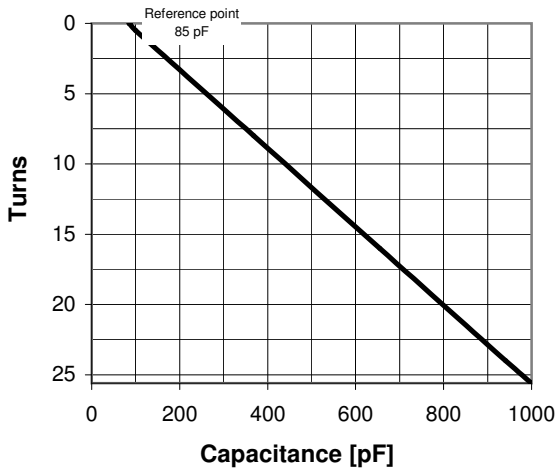


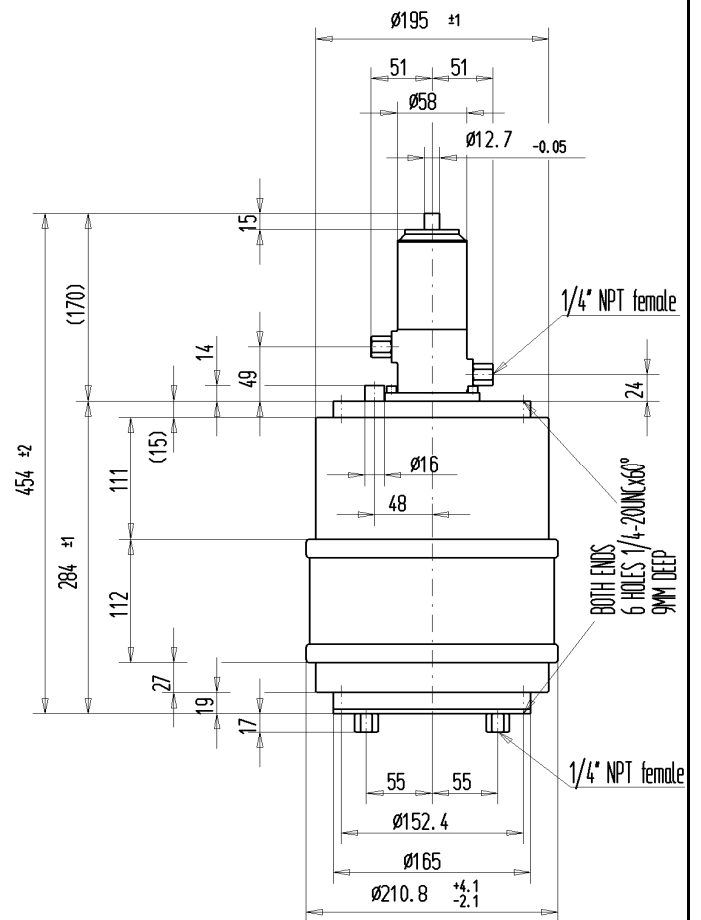
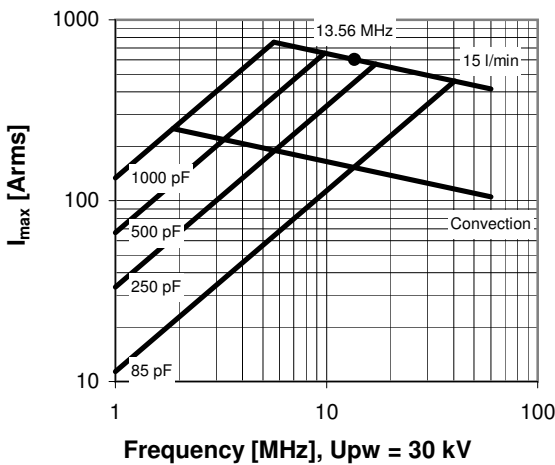
## CVLA-1000DW/50-AAE-HJNR

Old Type Designation: CV3W-1000GY

Specifications	
Capacity $C_{max}$ (nominal)	1000 pF
Capacity $C_{min}$ (nominal)	85 pF
Voltage (Peak Test $U_{pt}$ / Peak Working $U_{pw}$ )	50 kV / 30 kV
Capacity Tolerance (linear Range)	10%
Max. Current $I_{max}$ at 13.56 MHz with Water Cooling	602 Arms
Capacitance per turn	35.7 pF/turn
Torque	$\leq 1.5$ Nm
Net Weight	18 kg



$I_{max}$  for 15 l/min water cooling; max. water temp. at inlet: 70°C; fixed end has to be water cooled with min. 8 l/min



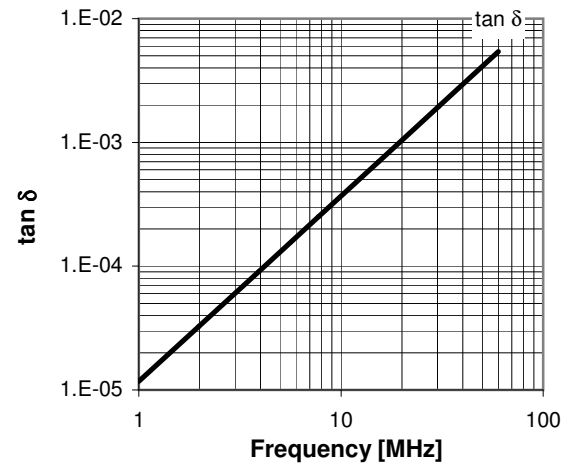
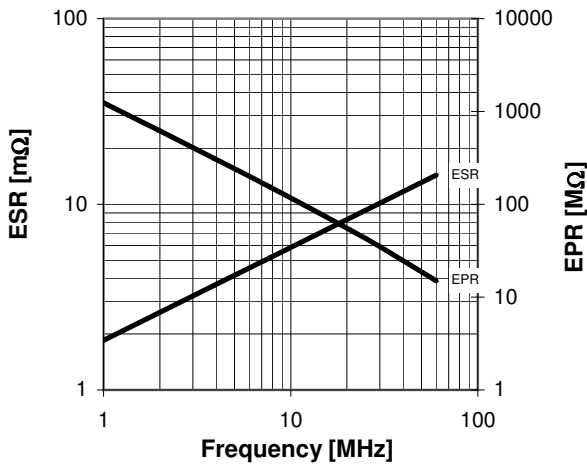
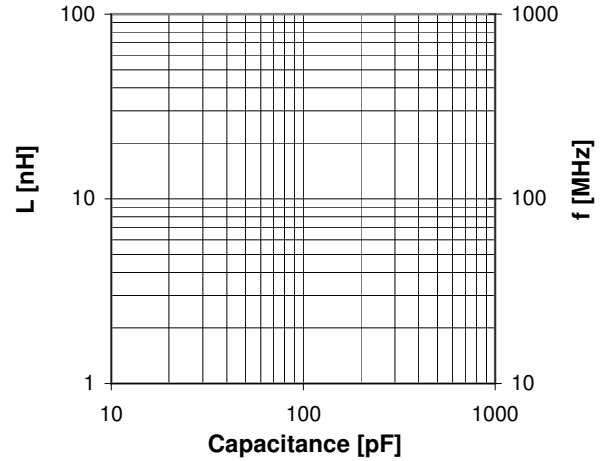
## CVLA-1000DW/50-AAE-HJNR

Old Type Designation: CV3W-1000GY

Turns	Nominal Capacitance [pF]	Tolerance
0.0	85.0	0%
0.5	100.0	10%
8.0	368.0	10%
16.0	654.8	10%
24.0	941.4	10%
25.6	1000.0	10%

Mechanical stop at < 85 pF at ~ -1.9 turns  
Mechanical stop at 1038 pF at ~ 26.8 turns  
No voltage allowed beyond 1000 pF

Self inductance and resonance frequency



**Special Features:**

Special C-Curve / Special Capacity Tolerance,  
Special Bellows, Turbulence Cooling, Cooling  
Plate included