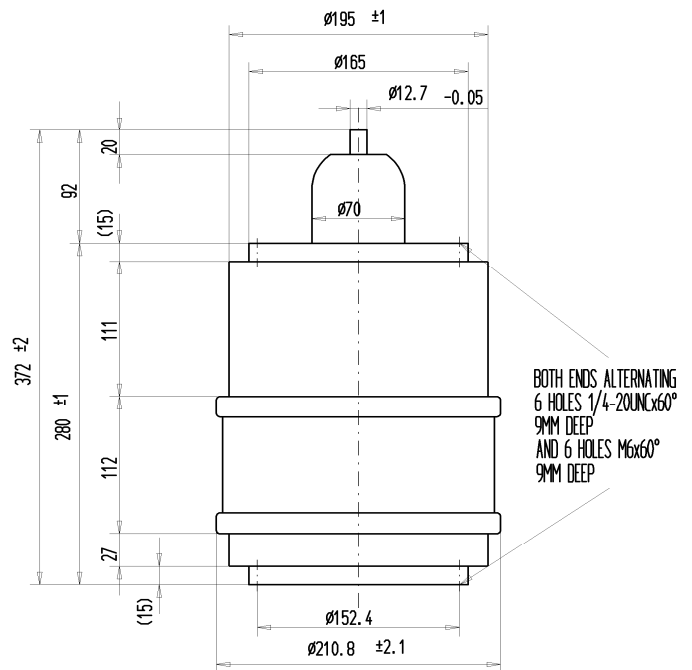
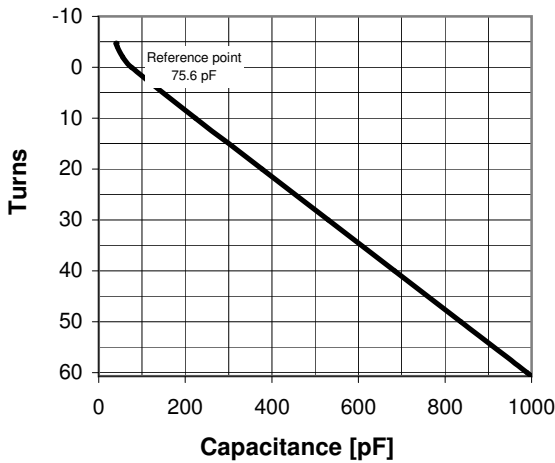


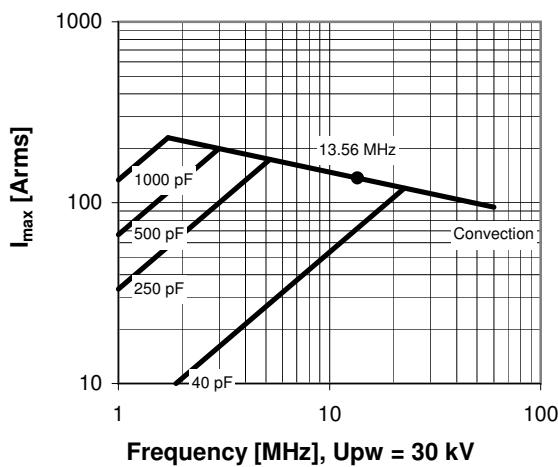
CVLA-1000AC/50-AAB

Old Type Designation: CV3C-1000E

Specifications	
Capacity C_{max} (nominal)	1000 pF
Capacity C_{min} (nominal)	40 pF
Voltage (Peak Test U_{pt} / Peak Working U_{pw})	50 kV / 30 kV
Capacity Tolerance (linear Range)	10%
Max. Current I_{max} at 13.56 MHz	136 Arms
Capacitance per turn	15.2 pF/turn
Torque	≤ 1.5 Nm
Net Weight	14 kg



I_{max} at 25°C ambient and 125°C surface temp. for convection cooling



Turns	Nominal Capacitance [pF]	Tolerance
-4.7	40.0	10%
-4.0	43.1	10%
-2.0	55.7	10%
0.0	75.6	0%
10.0	223.7	10%
20.0	377.0	10%
30.0	530.3	10%
40.0	683.5	10%
50.0	836.8	10%
60.0	990.0	10%
60.7	1000.0	10%

Mechanical stop at < 40 pF at ~ -8.3 turns
Mechanical stop at > 1000 pF at ~ 61.2 turns

Self inductance and resonance frequency

