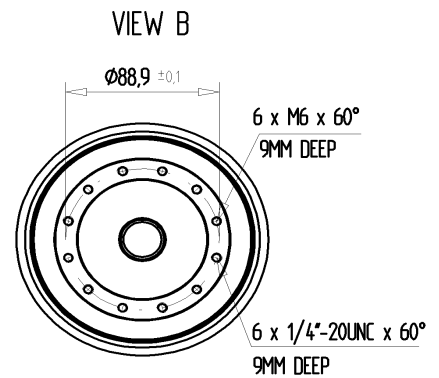
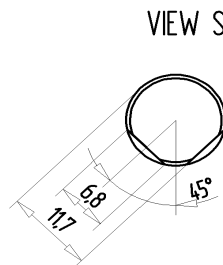
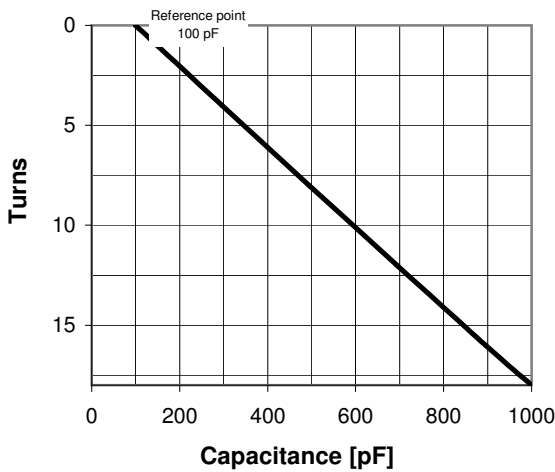
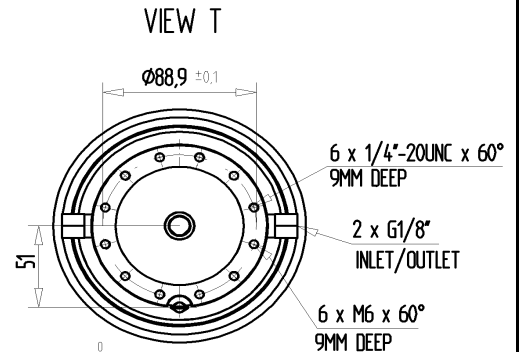
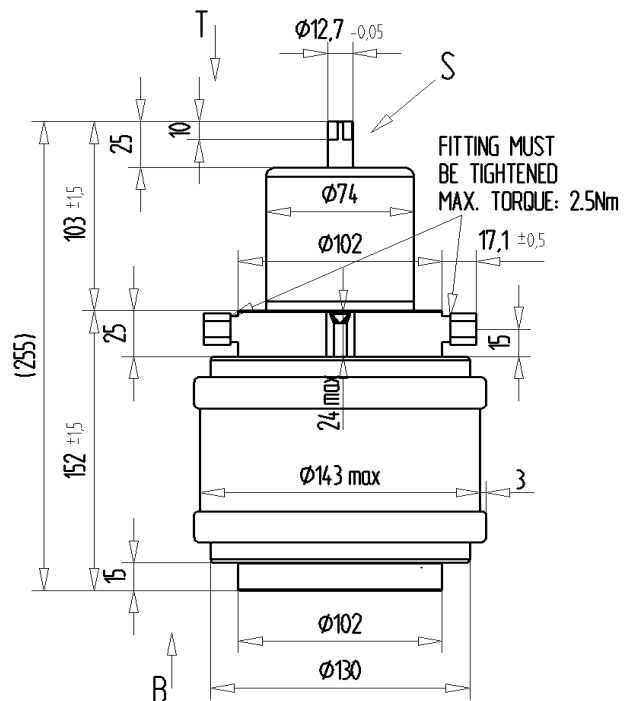
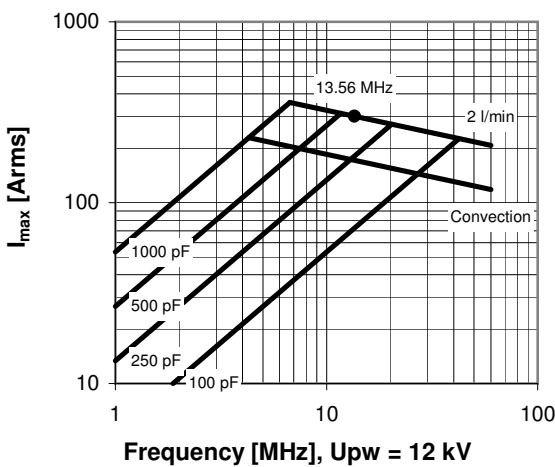


CVHI-1000AW/20-ADUB

Specifications	
Capacity C_{max} (nominal)	1000 pF
Capacity C_{min} (nominal)	100 pF
Voltage (Peak Test U_{pt} / Peak Working U_{pw})	20 kV / 12 kV
Capacity Tolerance (linear Range)	10%
Max. Current I_{max} at 13.56 MHz with	300 Arms
Water Cooling	2 l/min
Self Inductance	≤ 15 nH
Capacitance per turn	50 pF/turn
Torque	≤ 0.8 Nm
Net Weight	6.5 kg



I_{max} for 2 l/min water cooling; max. water temp. at inlet: 70°C;
fixed end has to be cooled with min. 50 W



CVHI-1000AW/20-ADUB

Turns	Nominal Capacitance [pF]	Tolerance
0.0	100.0	0%
4.0	296.0	10%
8.0	493.9	10%
12.0	693.4	10%
16.0	895.3	10%
18.0	1000.0	10%

Mechanical stop at < 100 pF at ~ -3.7 turns
Mechanical stop at > 1000 pF at ~ 18.1 turns

Self inductance and resonance frequency

