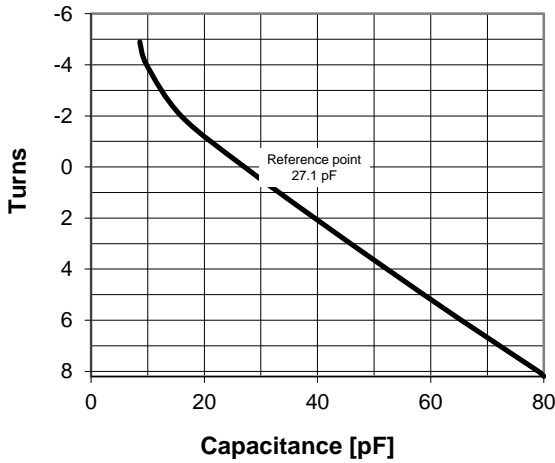
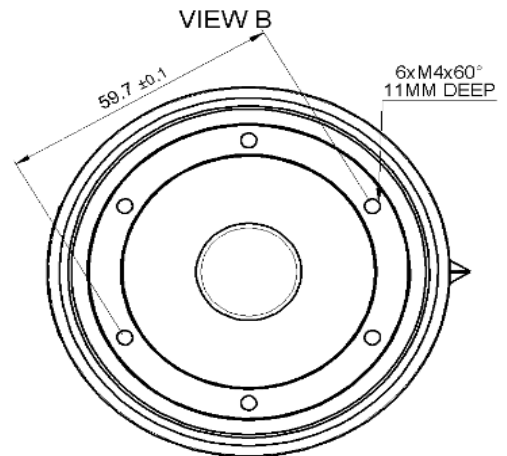
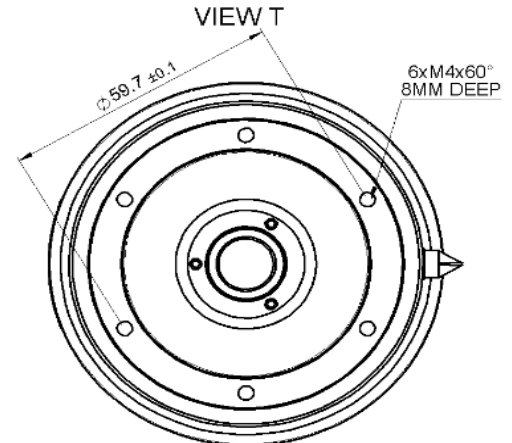


CVHE-80AC/20-AAAB-A1

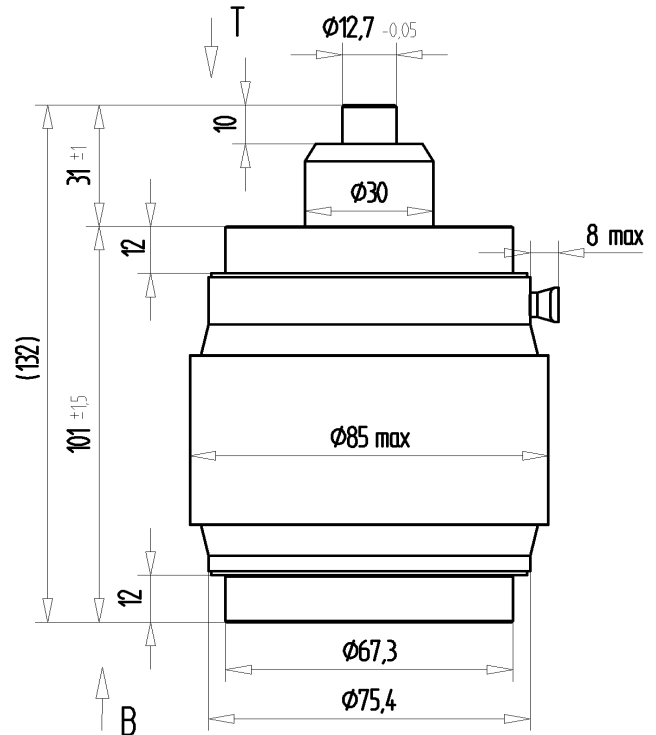
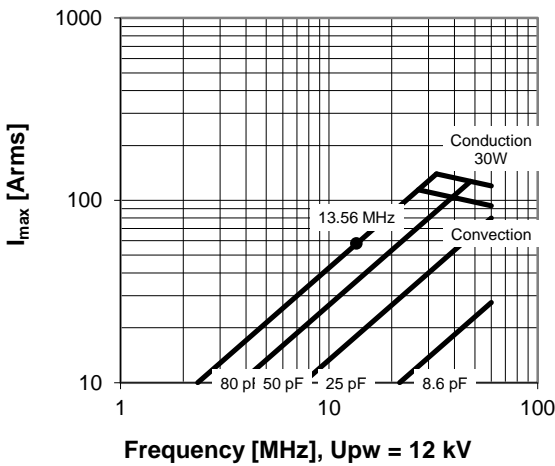
Old Type Designation: CV1C-80HL

Specifications

Capacity C_{max} (nominal)	80 pF
Capacity C_{min} (nominal)	8.6 pF
Voltage (Peak Test U_{pt} / Peak Working U_{pw})	20 kV / 12 kV
Capacity Tolerance (linear Range)	10%
Max. Current I_{max} at 13.56 MHz with	57 Arms
Conduction Cooling	30 W
Self Inductance	≤ 5 nH
Capacitance per turn	6.5 pF/turn
Torque	≤ 0.4 Nm
Net Weight	1.4 kg



I_{max} at 25°C ambient and 125°C surface temp. for convection and conduction (30 W) cooling



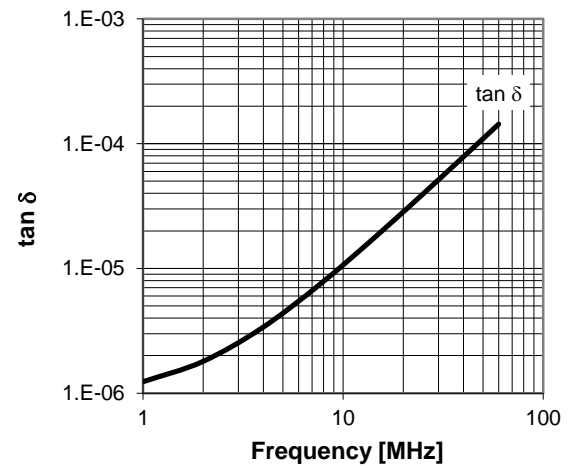
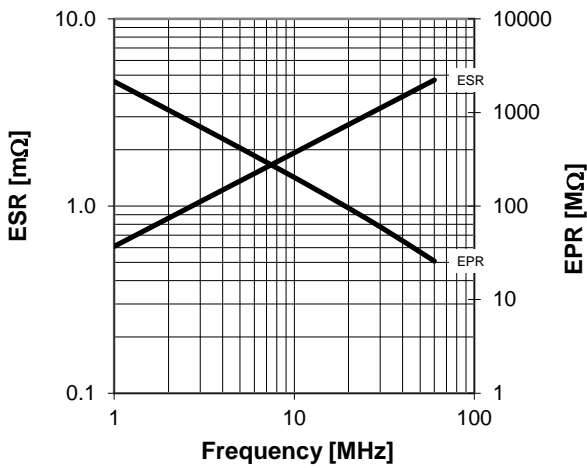
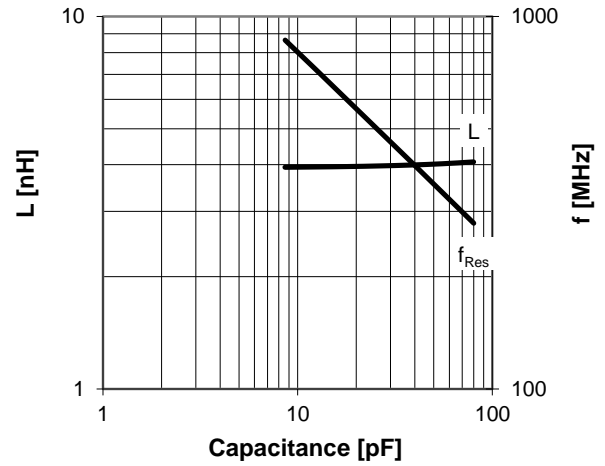
CVHE-80AC/20-AAAB-A1

Old Type Designation: CV1C-80HL

Turns	Nominal Capacitance [pF]	Tolerance
-4.9	8.6	10%
-4.0	9.8	10%
-2.0	15.9	10%
0.0	27.1	0%
2.0	39.5	10%
4.0	52.3	10%
6.0	65.4	10%
8.0	79.0	10%
8.2	80.0	10%

Slamindex at 8.6 ± 0.5 pF at -4.9 ± 0.5 turns
Mechanical stop at > 80 pF at ~ 8.7 turns

Self inductance and resonance frequency



Special Features:

Slam Index