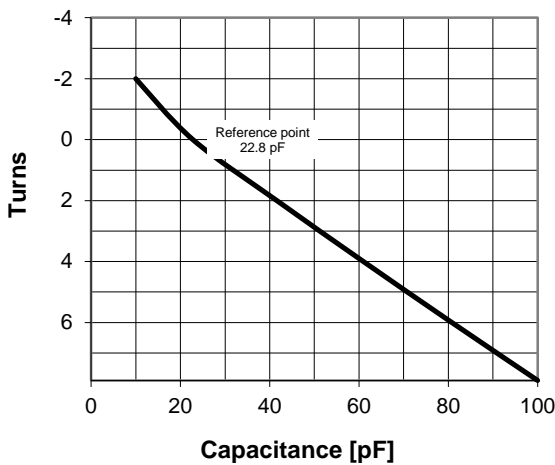
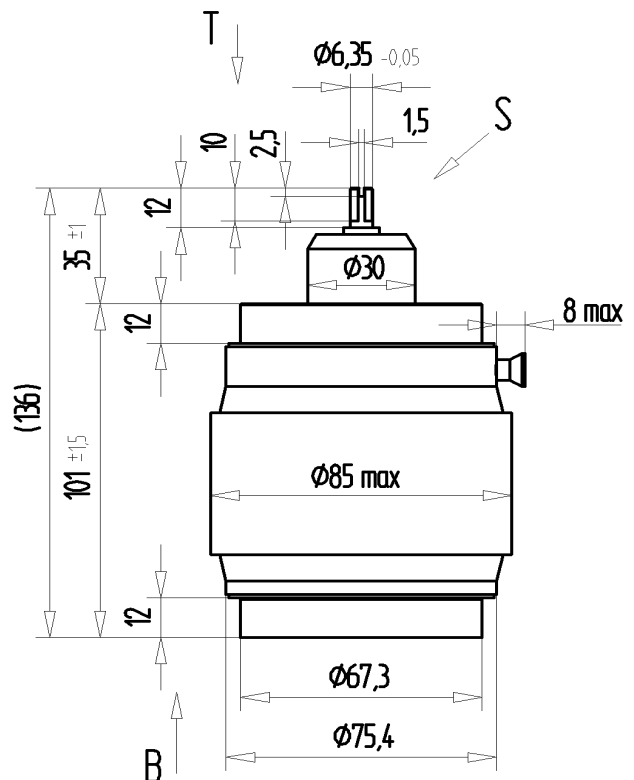
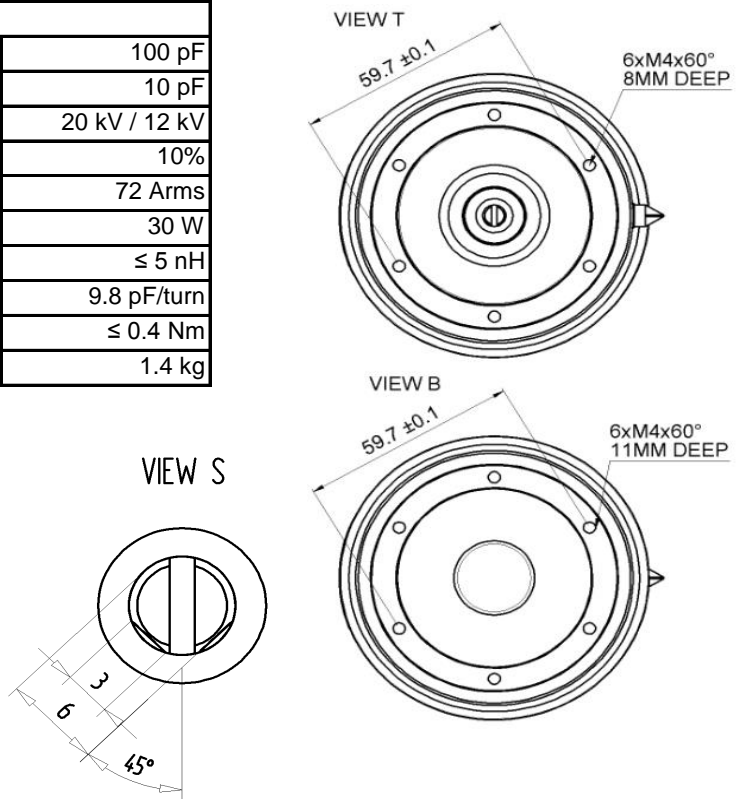
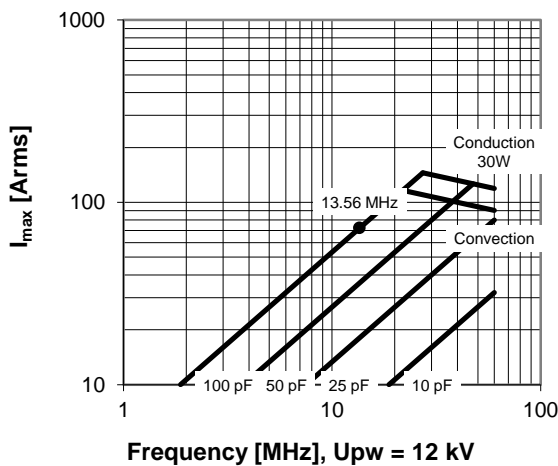


CVHE-100AC/20-BEAA

Specifications	
Capacity C_{max} (nominal)	100 pF
Capacity C_{min} (nominal)	10 pF
Voltage (Peak Test U_{pt} / Peak Working U_{pw})	20 kV / 12 kV
Capacity Tolerance (linear Range)	10%
Max. Current I_{max} at 13.56 MHz with	72 Arms
Conduction Cooling	30 W
Self Inductance	≤ 5 nH
Capacitance per turn	9.8 pF/turn
Torque	≤ 0.4 Nm
Net Weight	1.4 kg



I_{max} at 25°C ambient and 125°C surface temp. for convection and conduction (30 W) cooling



CVHE-100AC/20-BEAA

Turns	Nominal Capacitance [pF]	Tolerance
-2.0	10.0	10%
0.0	22.8	0%
2.0	41.6	10%
4.0	61.0	10%
6.0	80.8	10%
7.9	100.0	10%

Mechanical stop at < 10 pF at ~ -11.7 turns
Mechanical stop at > 100 pF at ~ 8.4 turns

Self inductance and resonance frequency

