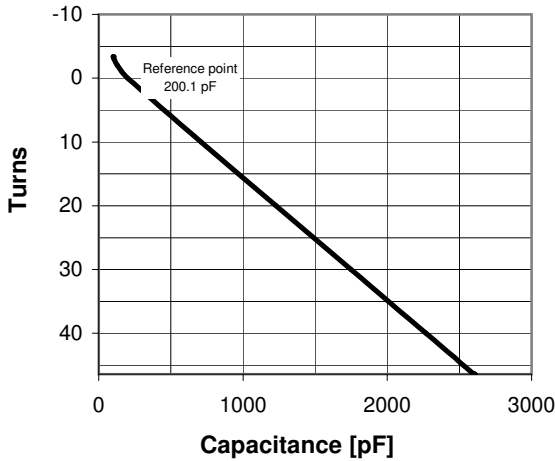


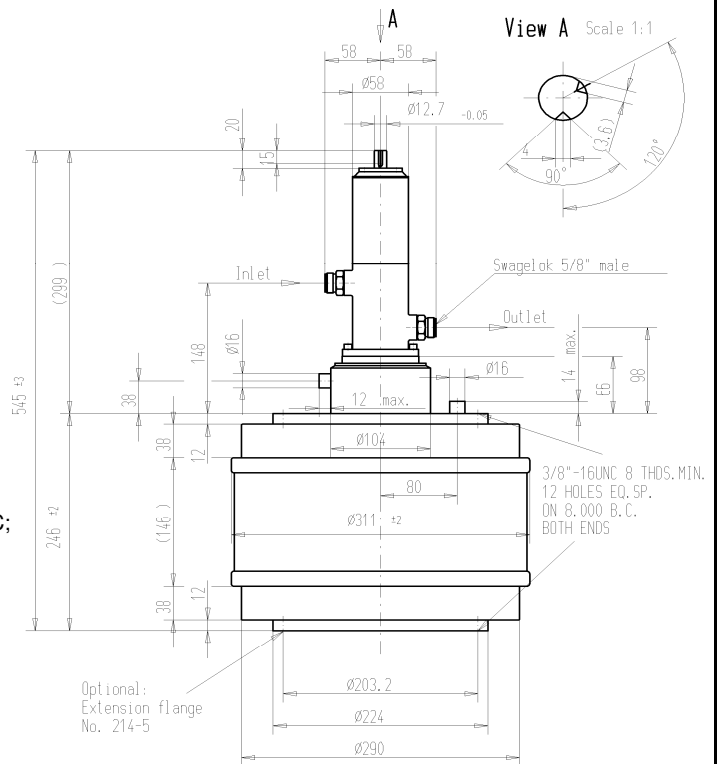
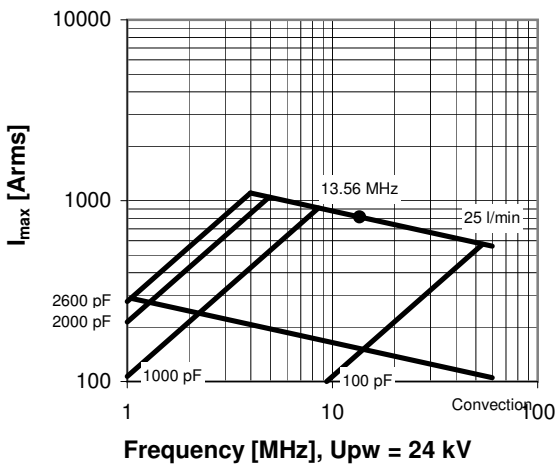
## CVHA-2600AW/40-ABG-N

Old Type Designation: CV3W-2600E

Specifications	
Capacity $C_{max}$ (nominal)	2600 pF
Capacity $C_{min}$ (nominal)	100 pF
Voltage (Peak Test $U_{pt}$ / Peak Working $U_{pw}$ )	40 kV / 24 kV
Capacity Tolerance (linear Range)	10%
Max. Current $I_{max}$ at 13.56 MHz with	812 Arms
Water Cooling	25 l/min
Self Inductance	$\leq 43$ nH
Capacitance per turn	51.7 pF/turn
Torque	$\leq 1.5$ Nm
Net Weight	46 kg
Mounting Flange (optional)	214-005



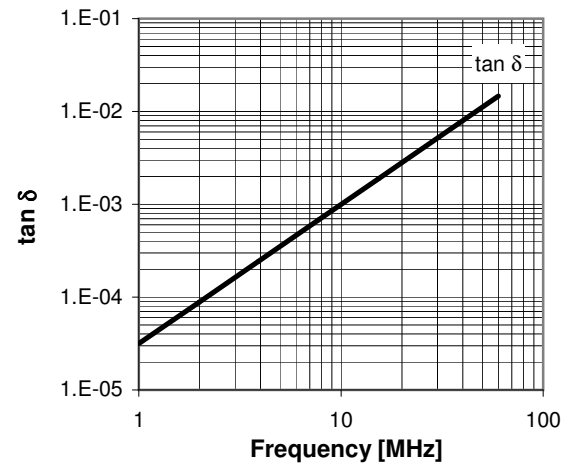
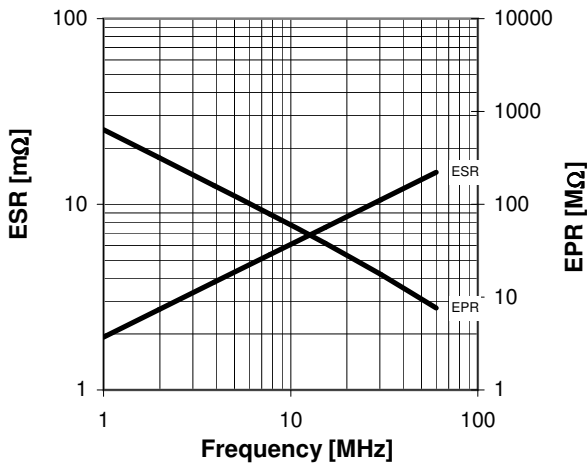
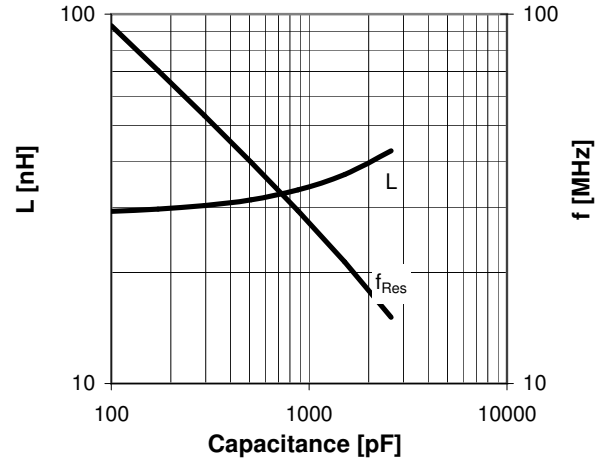
$I_{max}$  for 25 l/min water cooling; max. water temp. at inlet: 70°C;  
fixed end has to be cooled with min. 50 W



Turns	Nominal Capacitance [pF]	Tolerance
-3.4	100.0	10%
-3.0	106.7	10%
-2.0	129.0	10%
-1.0	160.1	10%
0.0	200.1	0%
10.0	710.4	10%
20.0	1229.6	10%
30.0	1748.7	10%
40.0	2267.9	10%
46.4	2600.0	10%

Mechanical stop at < 100 pF at ~ -6.5 turns  
Mechanical stop at > 2600 pF at ~ 46.9 turns

Self inductance and resonance frequency



**Special Features:**

Turbulence Cooling