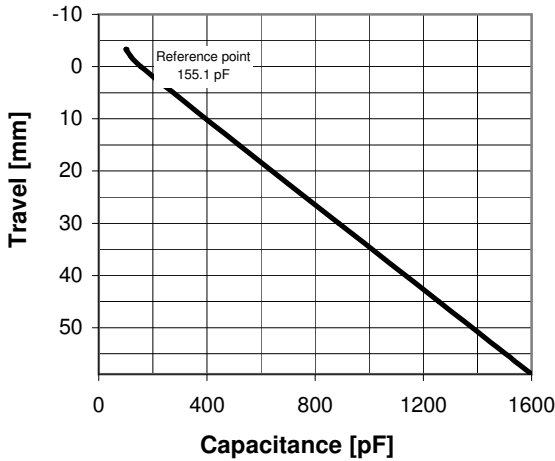


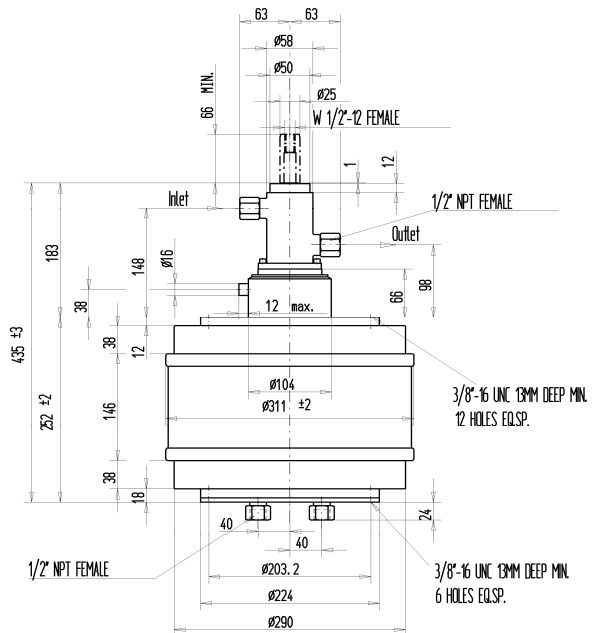
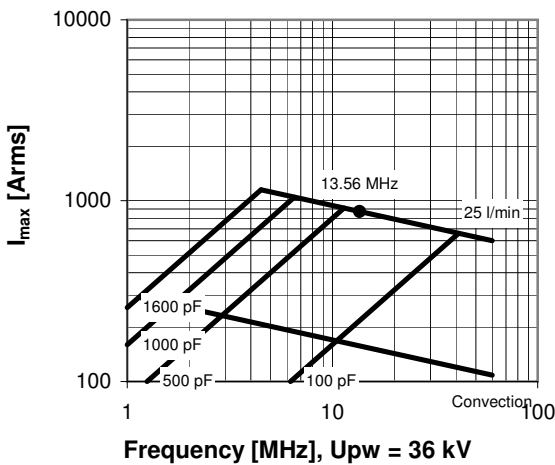
CVHA-1600AW/60-ZJP-NR

Old Type Designation: CV4W-1600H

Specifications	
Capacity C_{max} (nominal)	1600 pF
Capacity C_{min} (nominal)	100 pF
Voltage (Peak Test U_{pt} / Peak Working U_{pw})	60 kV / 36 kV
Capacity Tolerance (linear Range)	10%
Max. Current I_{max} at 13.56 MHz with	870 Arms
Water Cooling	25 l/min
Self Inductance	≤ 44 nH
Capacitance per mm	24.5 pF/mm
Pull Force	≤ 700 N
Net Weight	46 kg



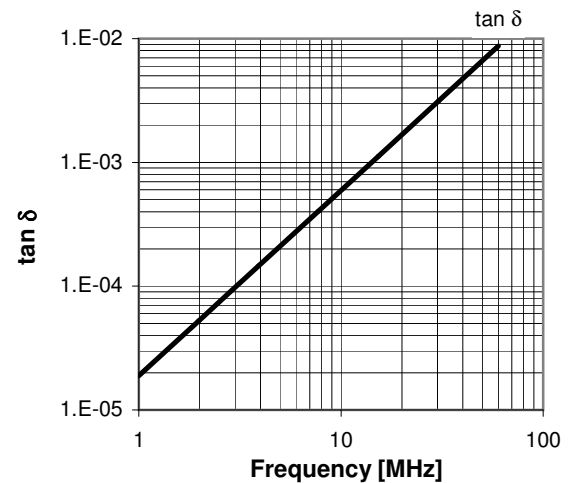
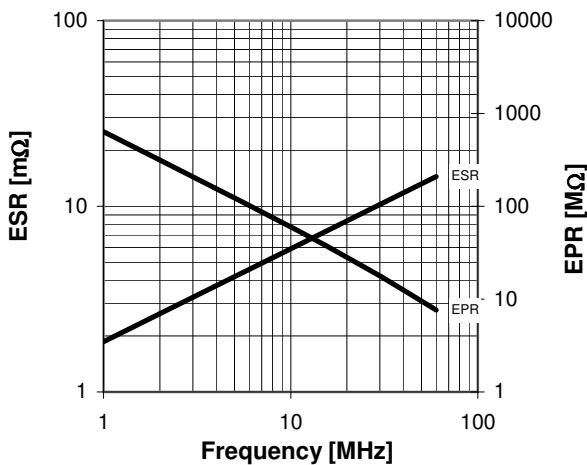
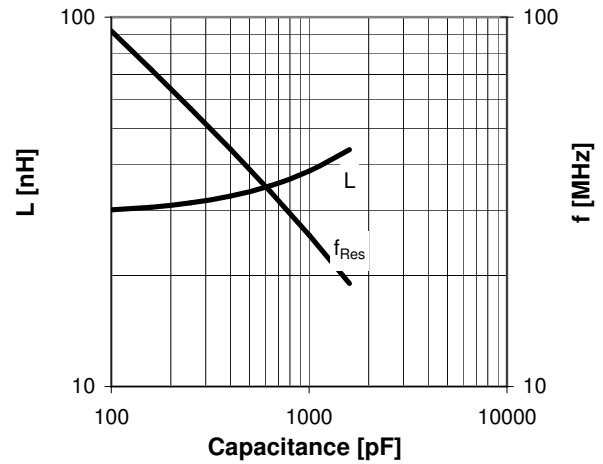
I_{max} for 25 l/min water cooling; max. water temp. at inlet: 70°C;
fixed end has to be water cooled with min. 25 l/min



Travel [mm]	Nominal Capacitance [pF]	Tolerance
-3.3	100.0	10%
-2.0	118.2	10%
0.0	155.1	0%
15.0	518.7	10%
30.0	887.8	10%
45.0	1256.8	10%
58.9	1600.0	10%

Mechanical stop at < 100 pF at ~ -8.9 mm
Mechanical stop at > 1600 pF at ~ 61 mm

Self inductance and resonance frequency



Special Features:

Turbulence Cooling, Cooling Plate included