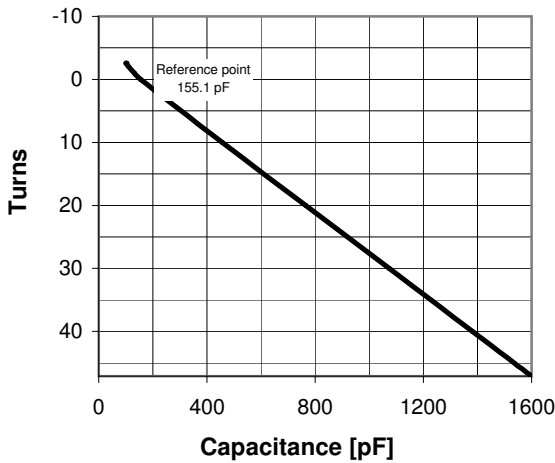
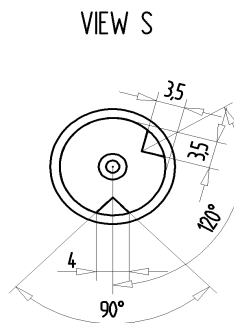
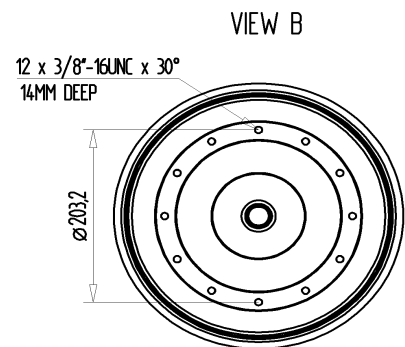
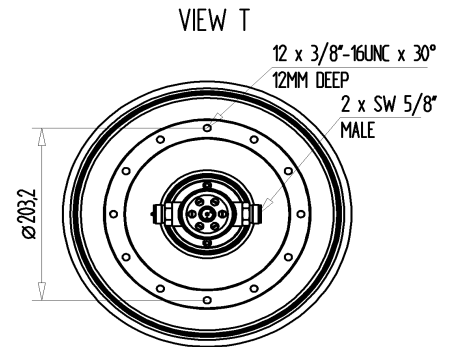


CVHA-1600AW/60-ABG-N

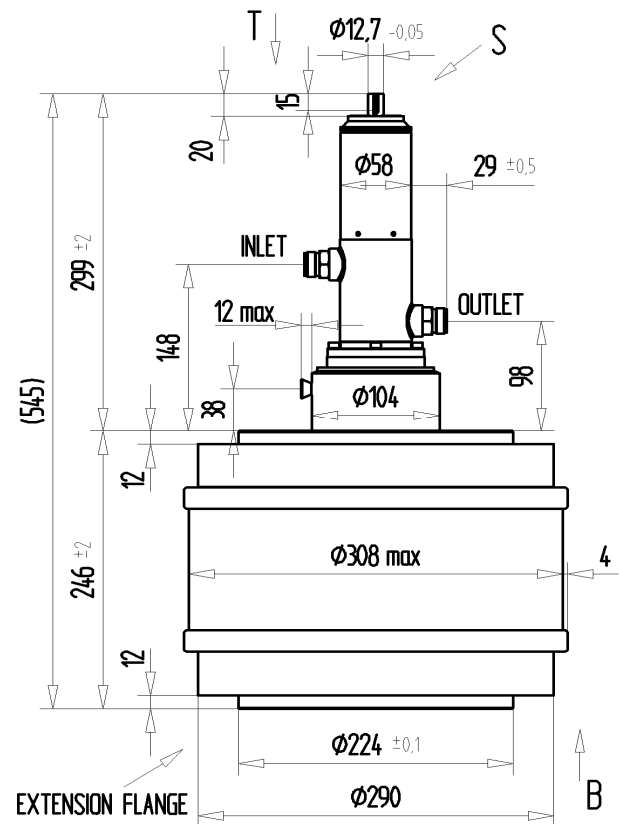
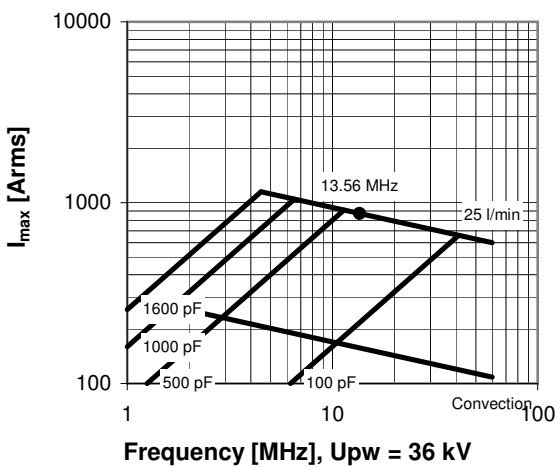
Old Type Designation: CV4W-1600F

Specifications

Capacity C_{max} (nominal)	1600 pF
Capacity C_{min} (nominal)	100 pF
Voltage (Peak Test U_{pt} / Peak Working U_{pw})	60 kV / 36 kV
Capacity Tolerance (linear Range)	10%
Max. Current I_{max} at 13.56 MHz with Water Cooling	870 Arms
Self Inductance	≤ 44 nH
Capacitance per turn	30.7 pF/turn
Torque	≤ 1.5 Nm
Net Weight	44 kg
Mounting Flange (optional)	214-005



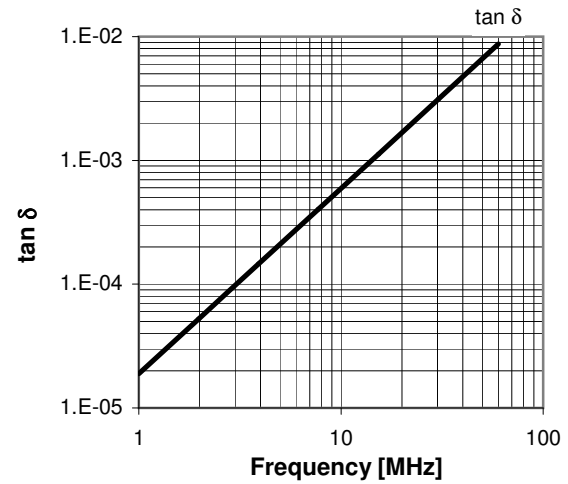
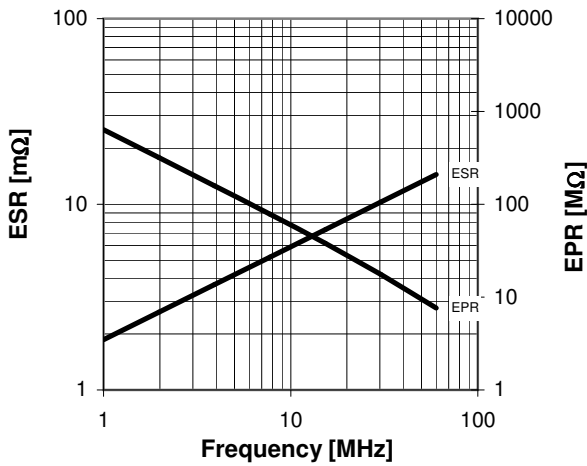
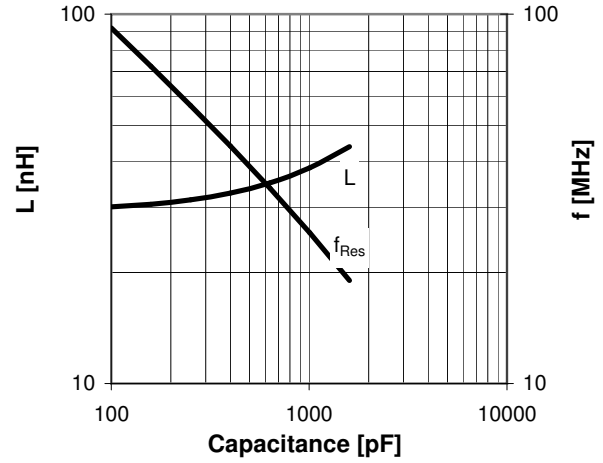
I_{max} for 25 l/min water cooling; max. water temp. at inlet: 70°C; fixed end has to be cooled with min. 50 W



Turns	Nominal Capacitance [pF]	Tolerance
-2.6	100.0	10%
-2.0	110.3	10%
-1.0	131.0	10%
0.0	155.1	0%
10.0	457.0	10%
20.0	765.2	10%
30.0	1073.3	10%
40.0	1381.5	10%
47.1	1600.0	10%

Mechanical stop at < 100 pF at ~ -6.6 turns
Mechanical stop at > 1600 pF at ~ 47.7 turns

Self inductance and resonance frequency



Special Features:

Turbulence Cooling