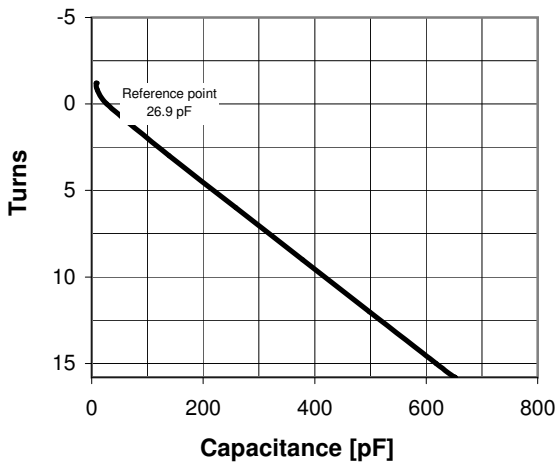
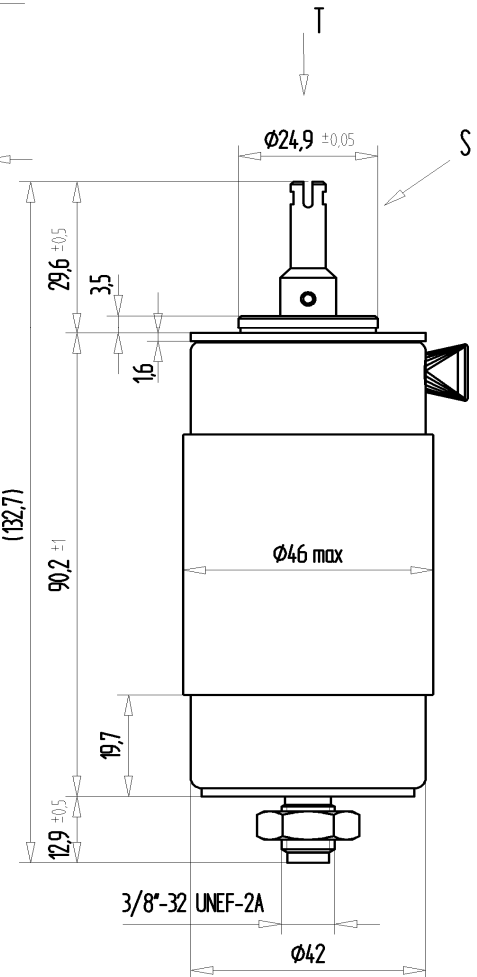
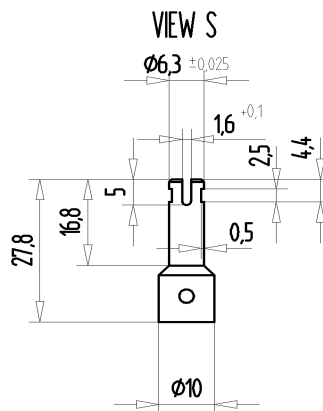
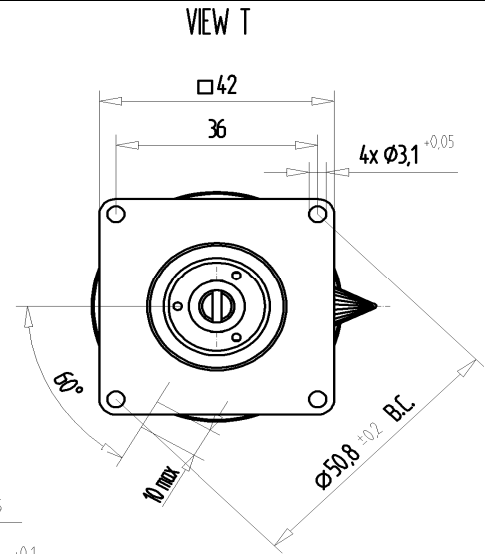


CVDU-650BC/5-KLD

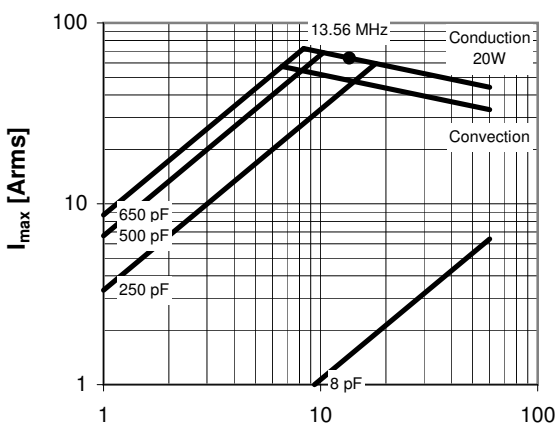
Old Type Designation: CV05C-650U

Specifications

Capacity C_{max} (nominal)	650 pF
Capacity C_{min} (nominal)	8 pF
Voltage (Peak Test U_{pt} / Peak Working U_{pw})	5 kV / 3 kV
Capacity Tolerance (linear Range)	10%
Max. Current I_{max} at 13.56 MHz with	63 Arms
Conduction Cooling	20 W
Self Inductance	≤ 8 nH
Capacitance per turn	39.4 pF/turn
Torque	≤ 0.15 Nm
Net Weight	0.38 kg



I_{max} at 25 °C ambient and 125 °C surface temp. for convection and conduction (20 W) cooling



Turns	Nominal Capacitance [pF]	Tolerance
-1.2	8.0	10%
-0.8	10.2	10%
0.0	26.9	0%
3.0	139.0	10%
6.0	258.7	10%
9.0	378.4	10%
12.0	498.1	10%
15.0	617.8	10%
15.8	650.0	10%

Mechanical stop at < 8 pF at ~ -3.7 turns
Mechanical stop at > 650 pF at ~ 15.9 turns

Self inductance and resonance frequency

