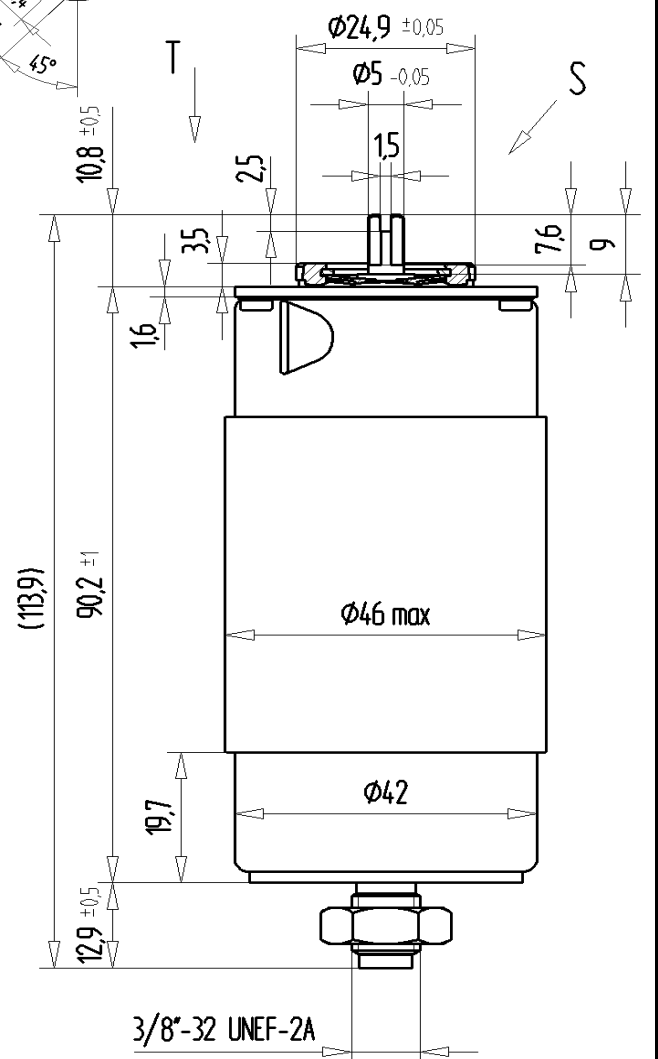
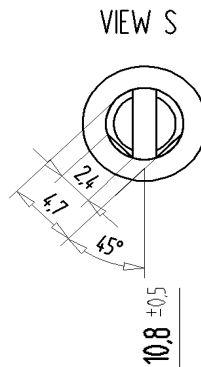
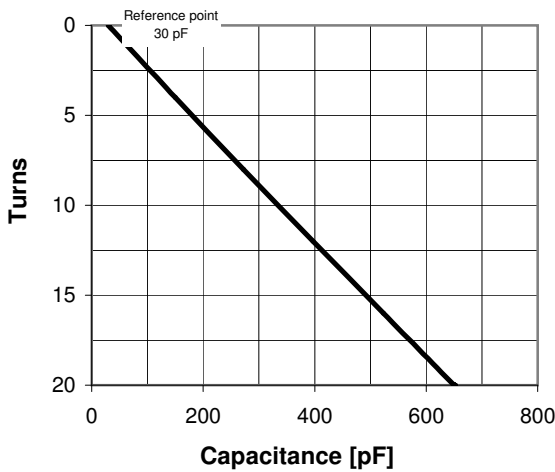
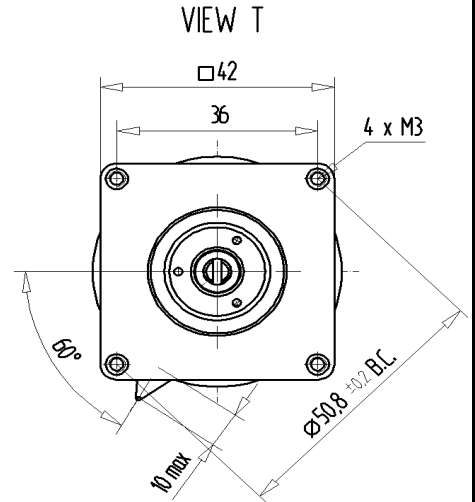


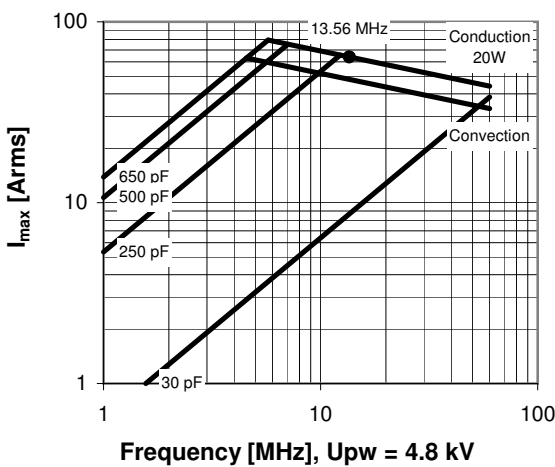
CVDU-650AC/8-DEA

Old Type Designation: CV05C-650R

Specifications	
Capacity C_{max} (nominal)	650 pF
Capacity C_{min} (nominal)	30 pF
Voltage (Peak Test U_{pt} / Peak Working U_{pw})	8 kV / 4.8 kV
Capacity Tolerance (linear Range)	10%
Max. Current I_{max} at 13.56 MHz with Conduction Cooling	63 Arms
Self Inductance	≤ 8 nH
Capacitance per turn	31 pF/turn
Torque	≤ 0.15 Nm
Net Weight	0.4 kg



I_{max} at 25°C ambient and 125°C surface temp. for convection and conduction (20 W) cooling



CVDU-650AC/8-DEA

Old Type Designation: CV05C-650R

Turns	Nominal Capacitance [pF]	Tolerance
0.0	30.0	0%
4.0	149.8	10%
8.0	272.5	10%
12.0	397.1	10%
16.0	523.2	10%
20.0	650.0	10%

Mechanical stop at < 30 pF at ~ -0.1 turns
Mechanical stop at > 650 pF at ~ 20.3 turns

Self inductance and resonance frequency

