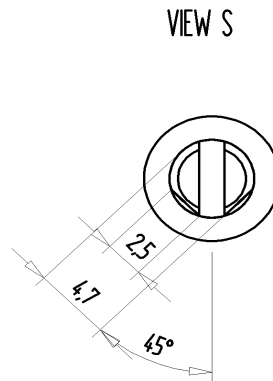
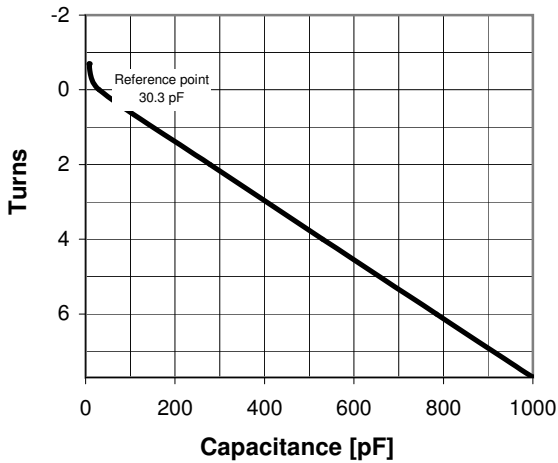
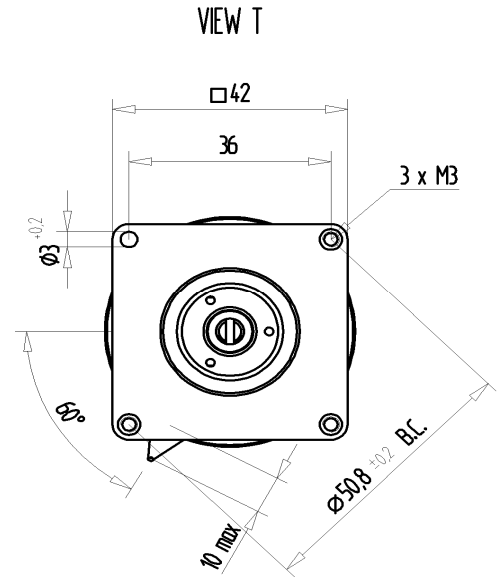


## CVDU-1000AC/3-DEF

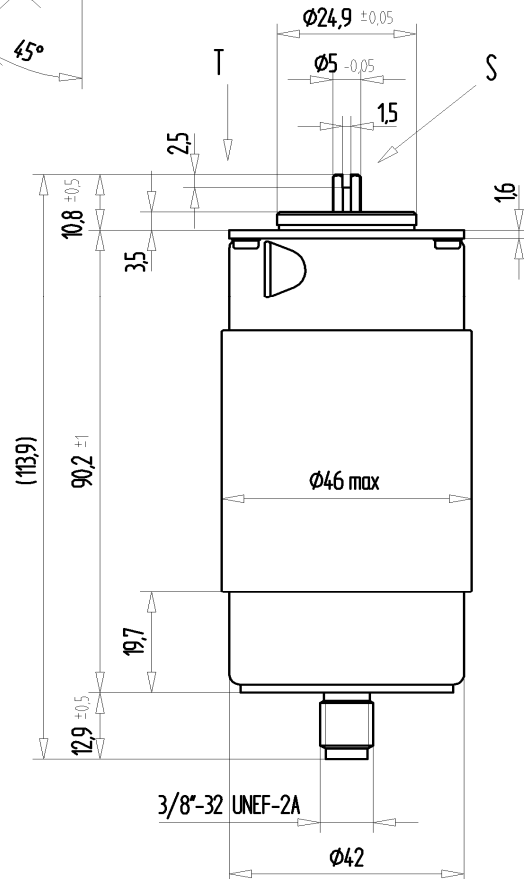
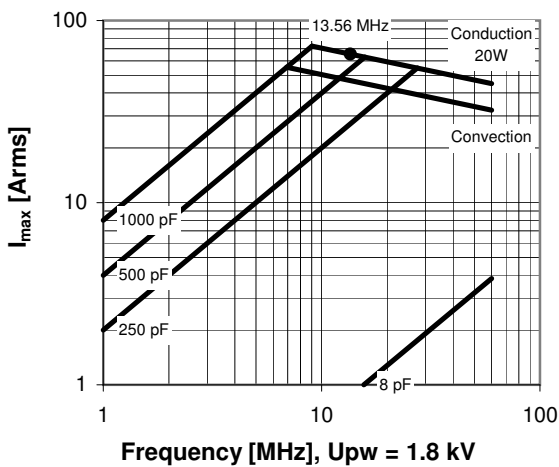
Old Type Designation: CV03C-1000T

### Specifications

Capacity $C_{max}$ (nominal)	1000 pF
Capacity $C_{min}$ (nominal)	8 pF
Voltage (Peak Test $U_{pt}$ / Peak Working $U_{pw}$ )	3 kV / 1.8 kV
Capacity Tolerance (linear Range)	10%
Max. Current $I_{max}$ at 13.56 MHz with	65 Arms
Conduction Cooling	20 W
Self Inductance	$\leq 8$ nH
Capacitance per turn	125.9 pF/turn
Torque	$\leq 0.15$ Nm
Net Weight	0.38 kg



$I_{max}$  at 25°C ambient and 125°C surface temp. for convection and conduction (20 W) cooling



Subject to change without prior notice

Note: Technical information in Service Bulletin SB-52 must be considered

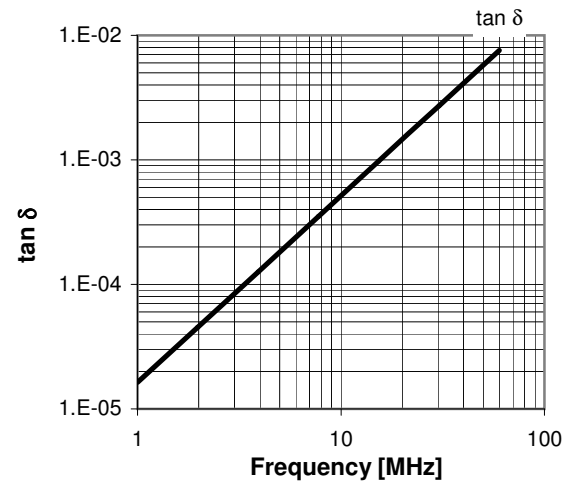
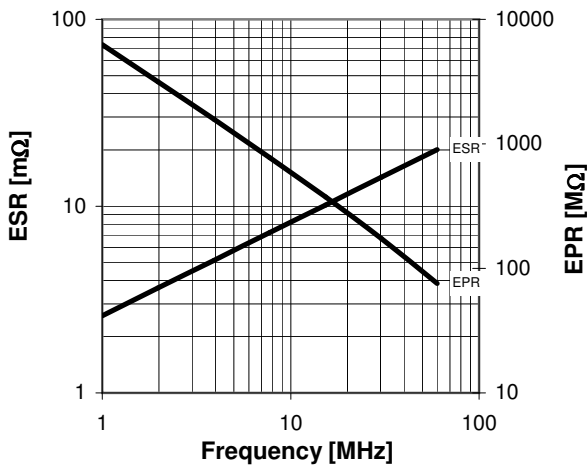
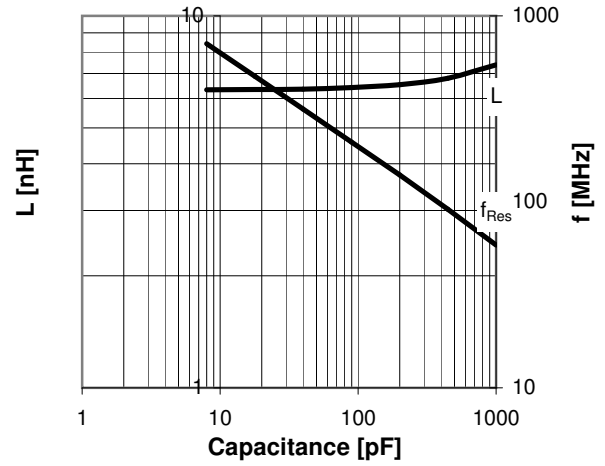
## CVDU-1000AC/3-DEF

Old Type Designation: CV03C-1000T

Turns	Nominal Capacitance [pF]	Tolerance
-0.7	8.0	10%
0.0	30.3	0%
2.0	278.3	10%
4.0	530.0	10%
6.0	784.6	10%
7.7	1000.0	10%

Mechanical stop at < 8 pF at ~ -2.3 turns  
Mechanical stop at > 1000 pF at ~ 7.8 turns

Self inductance and resonance frequency



Subject to change without prior notice

Note: Technical information in Service Bulletin  
SB-52 must be considered