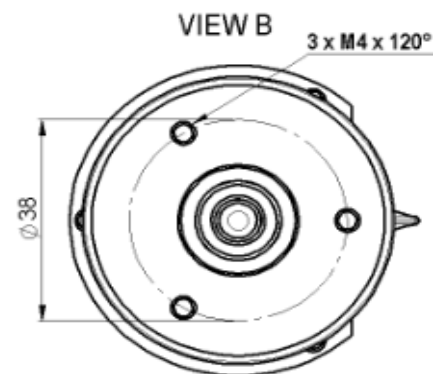
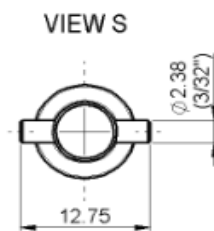
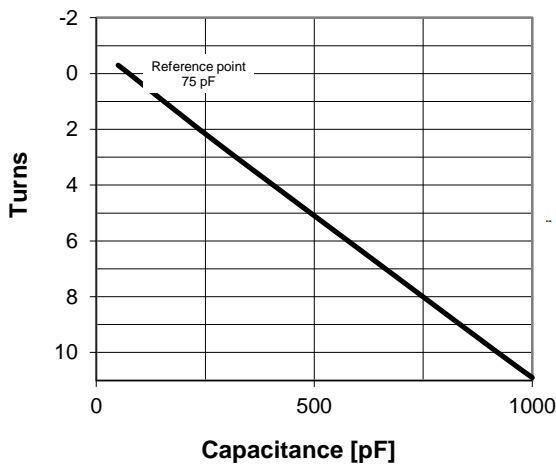
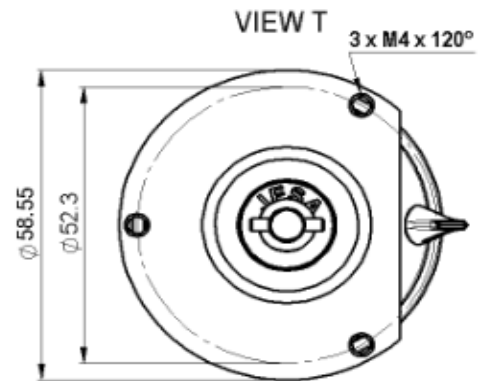
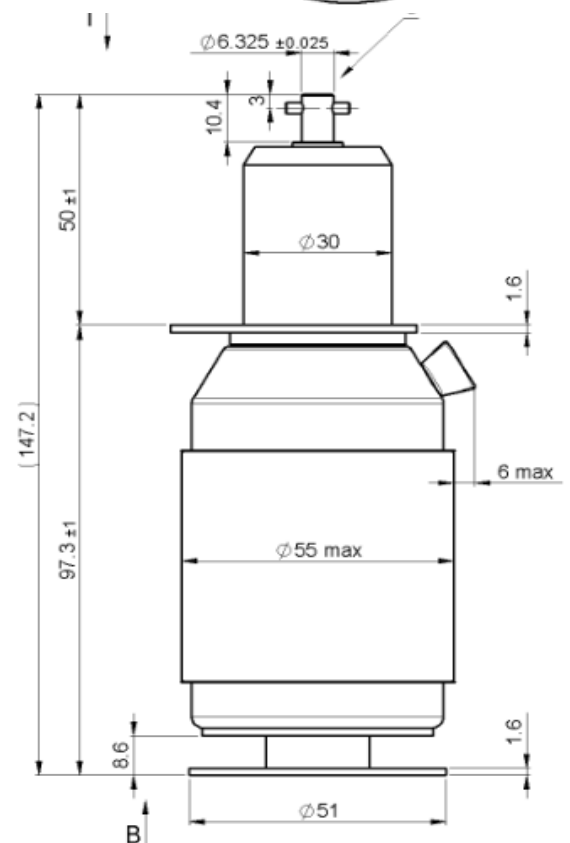
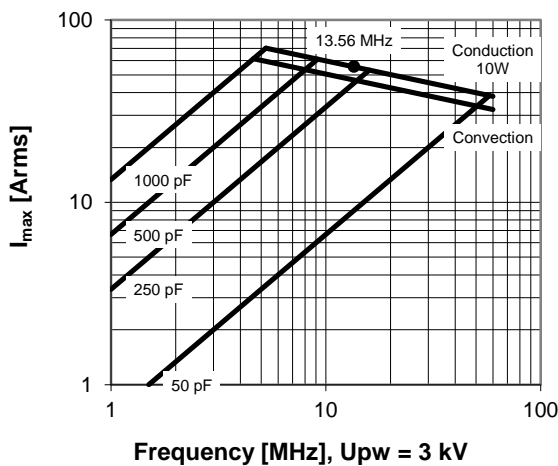


CVBA-1000AC/5-BGJA

Specifications	
Capacitance C_{max} (nominal)	1000 pF
Capacitance C_{min} (nominal)	50 pF
Voltage (Peak Test U_{pt} / Peak Working U_{pw})	5 kV / 3 kV
Capacitance Tolerance (linear Range)	10%
Max. Current I_{max} at 13.56 MHz with	55 Arms
Conduction Cooling	10 W
Self Inductance	≤ 11 nH
Capacitance per turn	84.9 pF/turn
Torque	≤ 0.15 Nm
Net Weight	0.6 kg



I_{max} at 25°C ambient and 125°C surface temp. for convection and conduction (10 W) cooling



Subject to change without prior notice

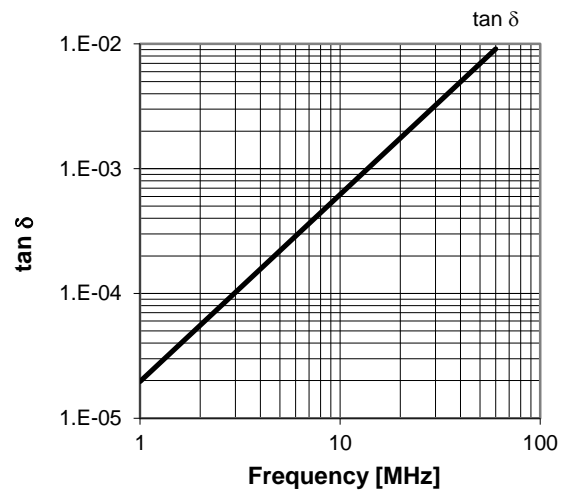
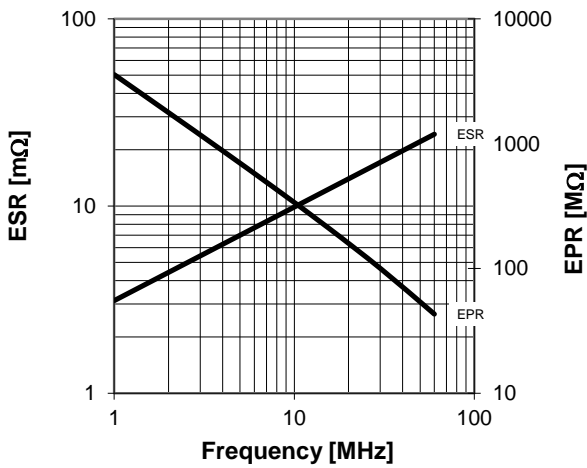
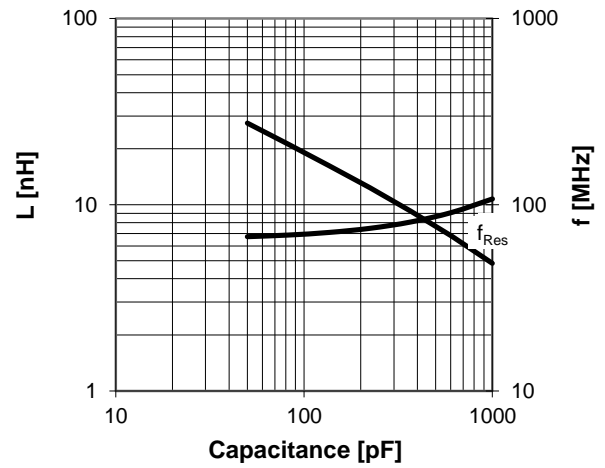
Note: Technical information in Service Bulletin SB-52 must be considered

CVBA-1000AC/5-BGJA

Turns	Nominal Capacitance [pF]	Tolerance
-0.3	50.0	10%
0.0	75.0	0%
2.0	236.4	10%
4.0	405.9	10%
6.0	577.6	10%
8.0	749.2	10%
10.0	920.8	10%
10.9	1000.0	10%

Mechanical stop at < 50 pF at ~ -0.7 turns
 Mechanical stop at > 1000 pF at ~ 11.2 turns

Self inductance and resonance frequency



Subject to change without prior notice

Note: Technical information in Service Bulletin
 SB-52 must be considered

Issue: 08-Apr-2015