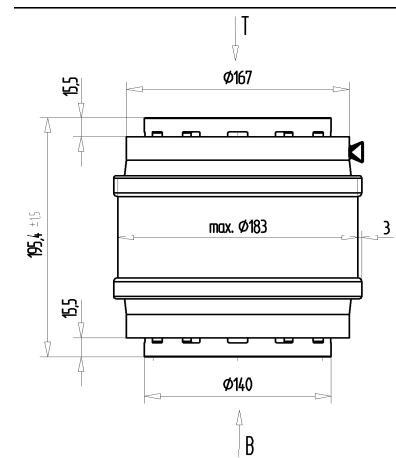


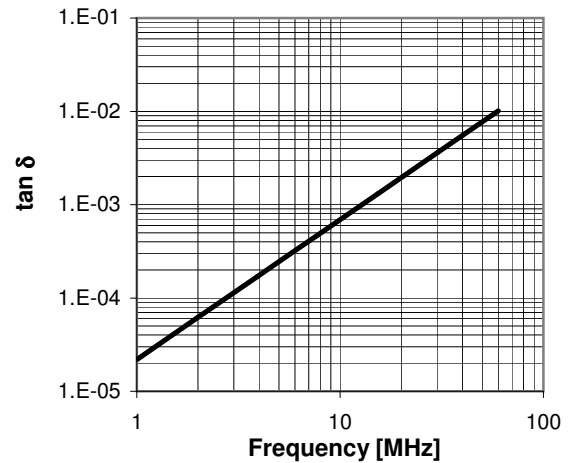
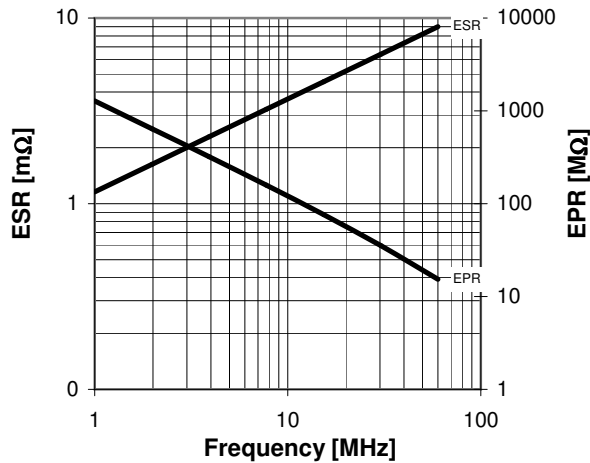
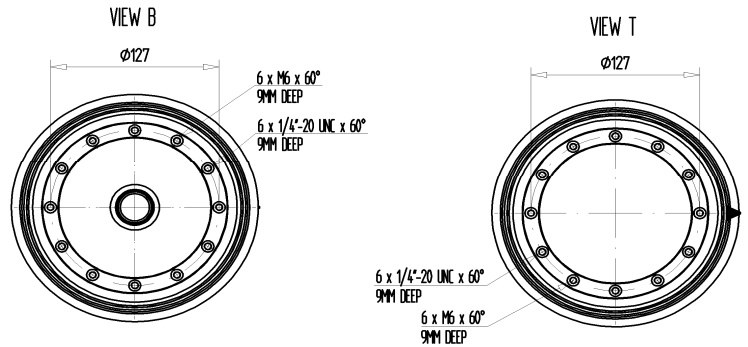
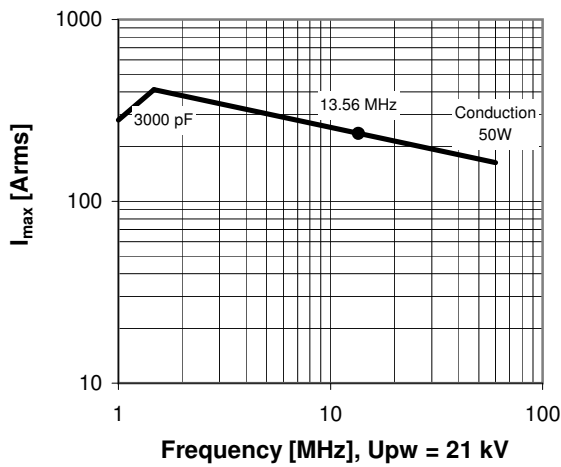
CFMA-3000CAC/35-BC-G

Specifications

Capacity C_{max} (nominal)	3000 pF
Voltage (Peak Test U_{pt} / Peak Working U_{pw})	35 kV / 21 kV
Capacity Tolerance	5%
Max. Current I_{max} at 13.56 MHz with	236 Arms
Conduction Cooling	50 W
Net Weight	12 kg



I_{max} at 25°C ambient and 125°C surface temp. for convection and conduction (50 W) cooling



Type Ordering Information:	Upt
CFMA-3000CAC/35-BC-G	35 kV

Special Features:
Capacity Tolerance 5%