

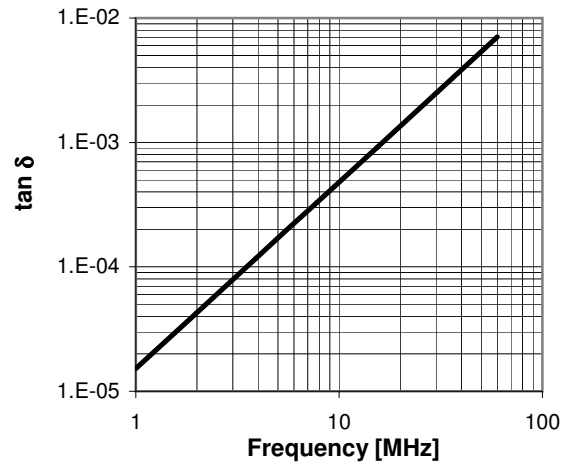
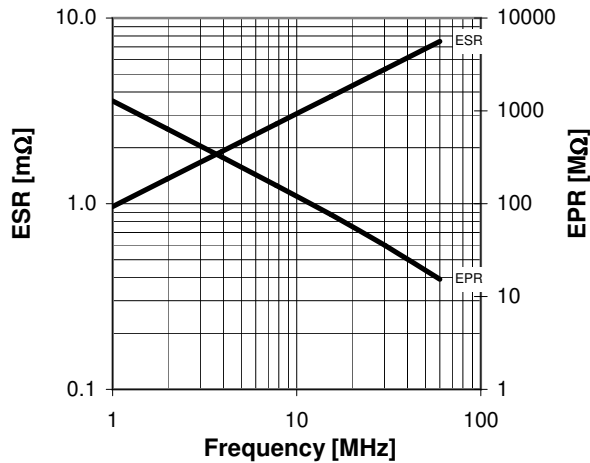
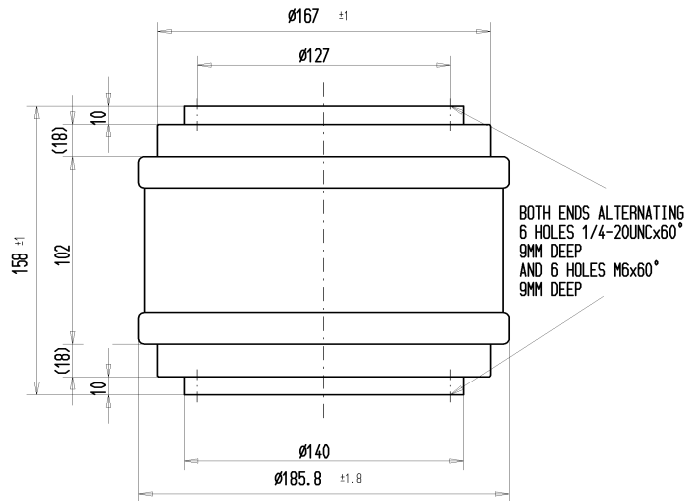
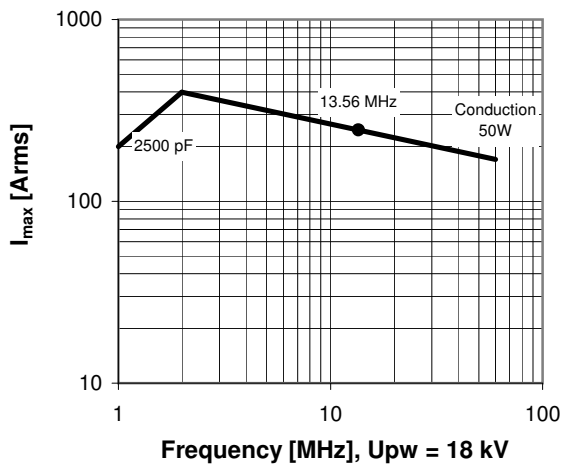
CFMA-2500AAC/30-BC-G

Old Type Designation: CF2C-2500E

Specifications

Capacity C_{max} (nominal)	2500 pF
Voltage (Peak Test U_{pt} / Peak Working U_{pw})	30 kV / 18 kV
Capacity Tolerance	5%
Max. Current I_{max} at 13.56 MHz with	246 Arms
Conduction Cooling	50 W
Net Weight	7.5 kg

I_{max} at 25 °C ambient and 125 °C surface temp. for convection and conduction (50 W) cooling



Type Ordering Information:

Type	Upt
CFMA-2500AAC/30-BC-G	30 kV
CFMA-2500AAC/25-BC-G	25 kV
CFMA-2500AAC/20-BC-G	20 kV

Special Features:

Capacity Tolerance 5%