

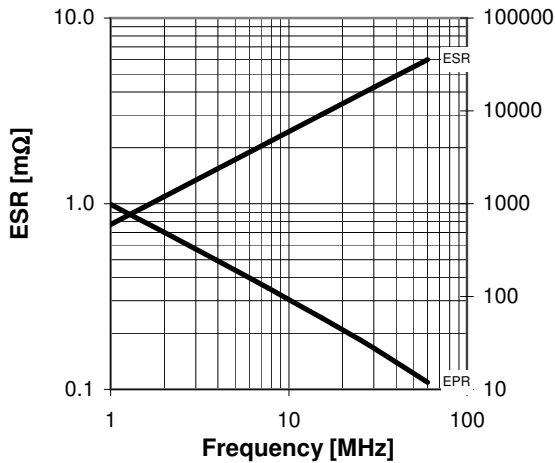
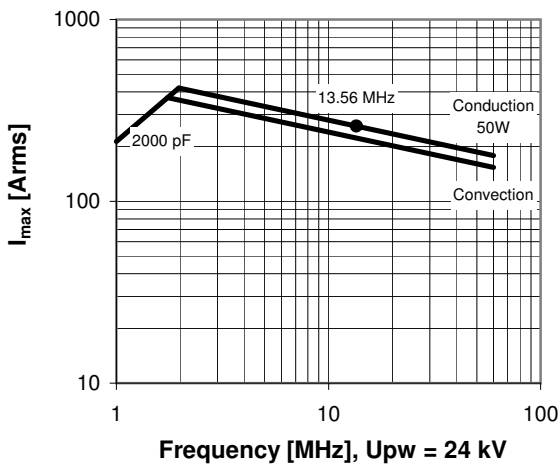
CFMA-2000ABC/40-PG-G

Old Type Designation: CF2C-2000F

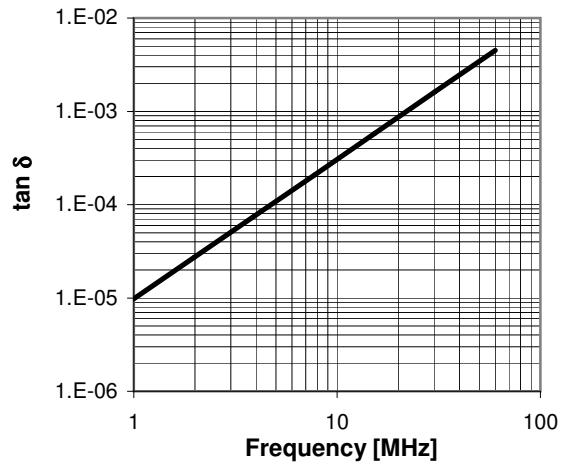
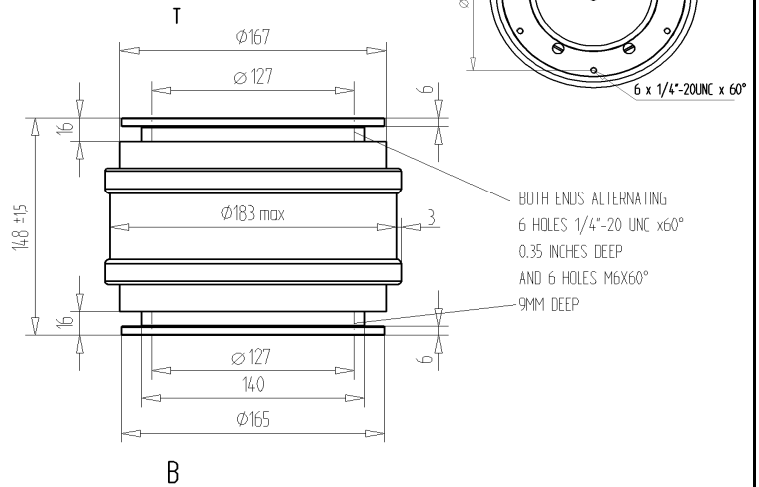
Specifications

Capacity C_{max} (nominal)	2000 pF
Voltage (Peak Test U_{pt} / Peak Working U_{pw})	40 kV / 24 kV
Capacity Tolerance	5%
Max. Current I_{max} at 13.56 MHz with Conduction Cooling	259 Arms 50 W
Net Weight	7.3 kg
Mounting Flange	058-050

I_{max} at 25°C ambient and 125°C surface temp. for convection and conduction (50 W) cooling



Flange no 058-050 mounted on $\phi 165$ THICKNESS 6MM WITH 6 HOLES 1/4"-20 UNC x60° ON 152.4MM (6") B.C



Special Features:

Capacity Tolerance 5%